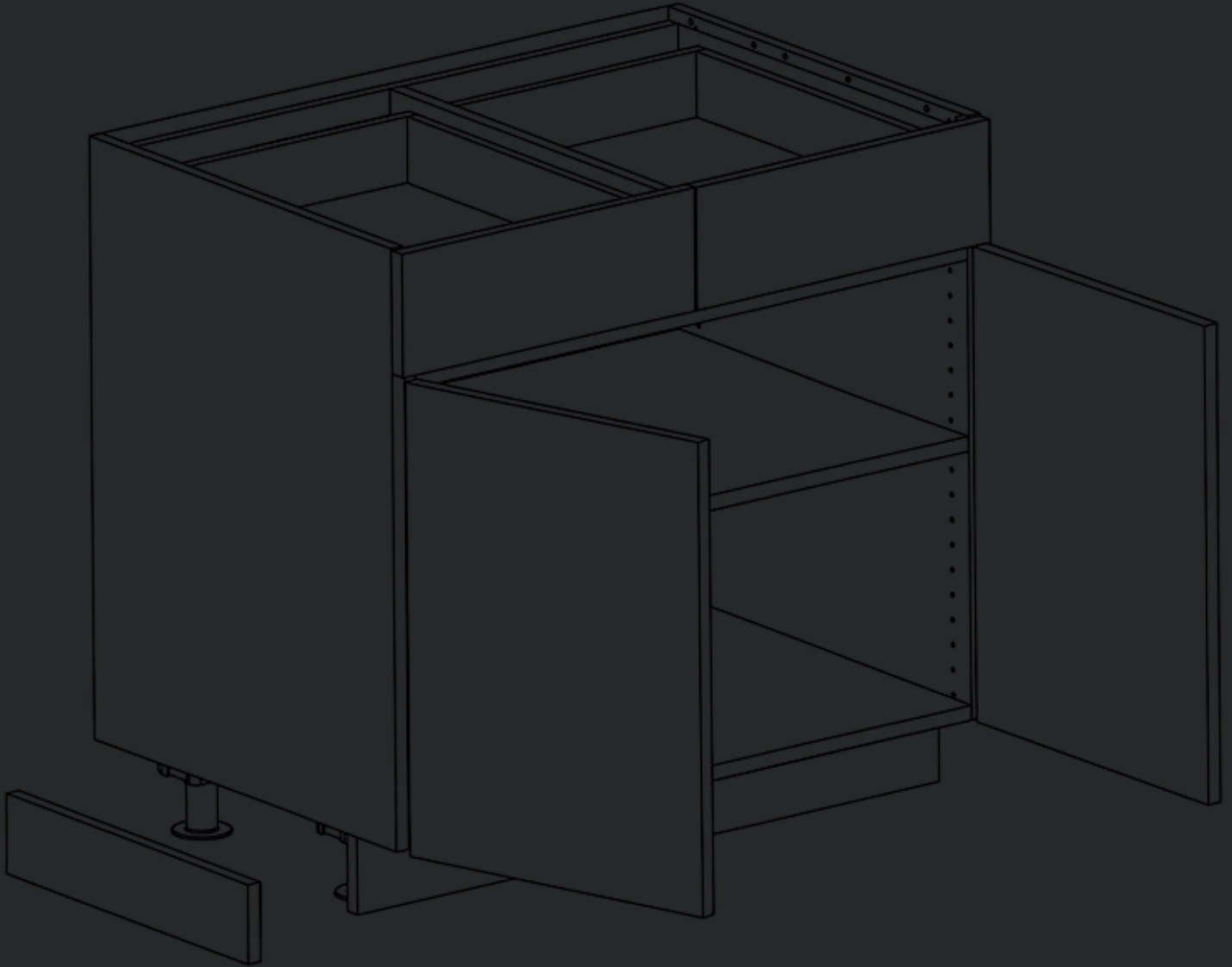


HUNTINGTON

— CABINETS —



CUSTOM CABINET MANUFACTURER

Specification Book

All Materials Made in North America. All Cabinets Custom Made in Huntington, NY.



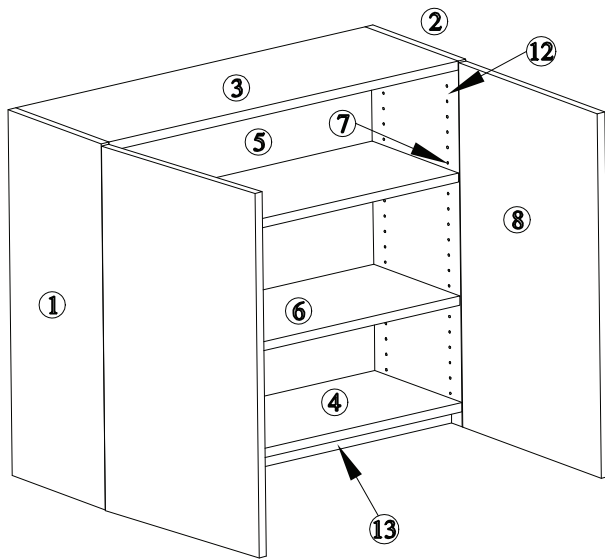
Index

2	CABINET SPECIFICATIONS
3	EXPLODED VIEW OF CABINET
4	WALL CABINETS - 12" DEEP
5	WALL CABINETS - 12" DEEP
6	WALL CABINETS - REFRIGERATOR - 12" DEEP
7	WALL CABINET LIFT UP DOOR - 12" DEEP
8	WALL CABINET COMBO - 12" DEEP
9	WALL DIAGONAL CABINET - 24" DEEP
10	BLIND WALL CABINET - 12" DEEP
11	WALL EASY REACH CABINET - 24" DEEP
12	BASE CABINET - ONE DOOR - 24" DEEP
13	BASE CABINET - TWO DOOR - 24" DEEP
14	BASE CABINET - TWO DRAWERS - 24" DEEP
15	BASE CABINET - THREE DRAWERS - 24" DEEP
16	BASE CABINET - FOUR DRAWERS - 24" DEEP
17	BASE CABINET - FULL HIGH DOOR - 24" DEEP
18	BASE CABINET - FULL HIGH DOOR - 12" DEEP
19	BASE CABINET - TWO FULL HIGH DOOR - 24" DEEP
20	BASE CABINET - TWO FULL HIGH DOOR - 12" DEEP
21	BASE CABINET - FULL HIGH DOOR SINGLE GARBAGE BIN - 24" DEEP
22	BASE CABINET - FULL HIGH DOOR DOUBLE GARBAGE BINS - 24" DEEP
23	BASE CABINET - SINGLE GARBAGE BIN - 24" DEEP
24	BASE CABINET - DOUBLE GARBAGE BINS - 24" DEEP
25	BASE CABINET - ONE DOOR SINGLE ROLLOUT - 24" DEEP
26	BASE CABINET - ONE DOOR DOUBLE ROLLOUTS - 24" DEEP
27	BASE CABINET - TWO DOORS SINGLE ROLLOUT - 24" DEEP
28	BASE CABINET - TWO DOORS DOUBLE ROLLOUTS - 24" DEEP
29	BASE CABINET - TWO DOORS DOUBLE ROLLOUTS - 24" DEEP
30	BASE CABINET - TWO DRAWERS - 24" DEEP
31	SINKBASE CABINET - 24" DEEP
32	SINKBASE CABINET - FULL HEIGHT DOORS - 24" DEEP
33	FARM SINKBASE - 24" DEEP
34	MICROWAVE BASE - 24" DEEP
35	BLIND BASE - 24" DEEP
36	BLIND BASE FULL HEIGHT DOOR - 24" DEEP
37	BASE DIAGONAL CABINET - 24" DEEP / BASE EASY REACH - 24" DEEP
38	TALL CABINETS - 2 DOORS
39	TALL CABINETS - 24" DEEP
40	THREE DRAWERS TALL CABINET - 24" DEEP
41	MIELE / MICROWAVE TALL CABINET - 24" DEEP
42	SINGLE OVEN TALL CABINET - 24" DEEP
43	SINGLE OVEN TALL CABINET - 24" DEEP
44	SINGLE OVEN TALL CABINET - 24" DEEP
45	DOUBLE OVEN TALL CABINET - 24" DEEP



CABINET SPECIFICATIONS

- (1) Left Panel: 3/4" Panel
- (2) Right Panel: 3/4" Panel
- (3) Top: 3/4" Panel
- (4) Bottom: 3/4" Panel
- (5) Back: 3/4" Panel
- (6) Adjustable Shelves: 3/4" Panel
- (7) Shelf Pins: Metal Spoon Style
- (8) Doors: 3/4" Thick
- (9) Drawer Front: 3/4" Thick
- (10) Draw Box: 5/8" Sides - 3/8" Bottom - Dovetailed
- (11) Slides: Blum Undermount Soft Close
- (12) Hinges: Blum 110 degree concealed Soft Close Hinges
- (13) Built-In Light Rail: 3/4" Thick
- (14) Levelers: Black - 4" Height Adjustable
- (15) Toe Kick: 3/4" Thick



European or Frameless cabinets with dowel construction.

Interiors Colors matches exterior colors on Melamine Cabinets. Interiors are Maple on Plywood Cabinets. All plywood made by Columbia Forest Products in North America with Formaldehyde Free, Soy based Purebond Technology.

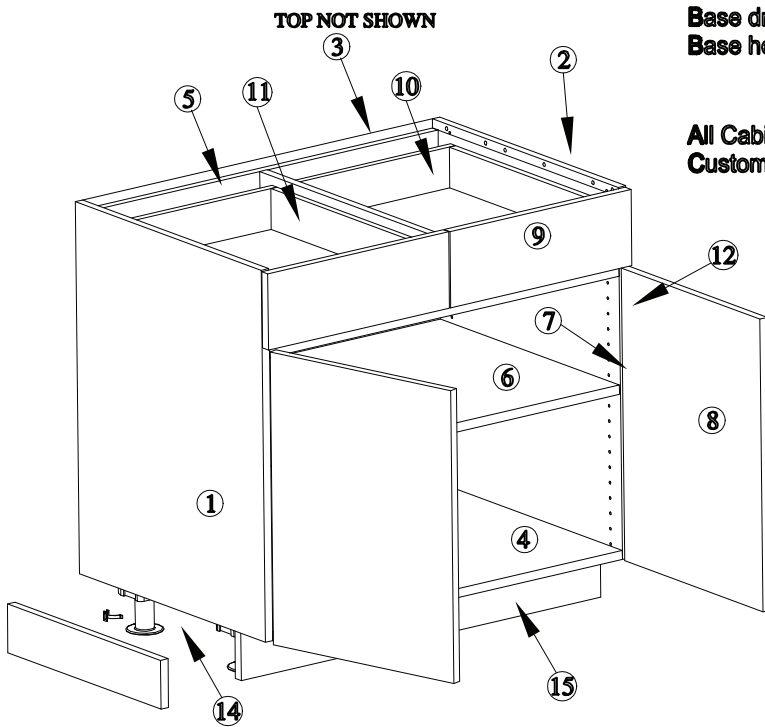
All Wall and Base shelves are full depth except for Blindbase which are 1/2 depth.

Blum Hinges are Full Overlay, 110 degree opening concealed hinges, Soft Close.

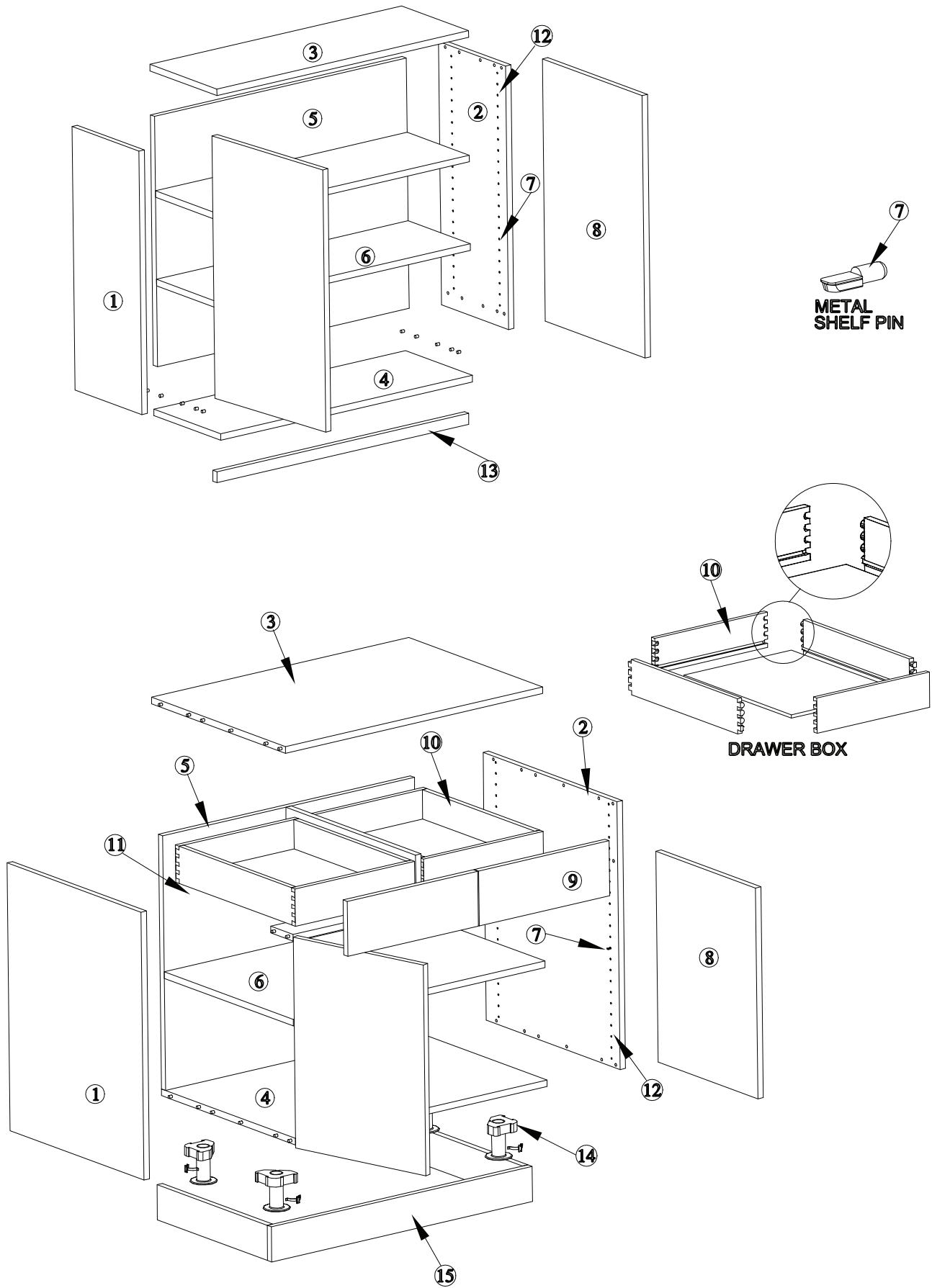
Drawers are 5/8" plywood construction and Dovetailed jointly with 3/8" bottom. Solid Wood Drawer available.

Base drawers uses 21" deep Blum Undermount Slides unless noted. Base height is 30 1/2" with 4" High adjustable Leg Levelers.

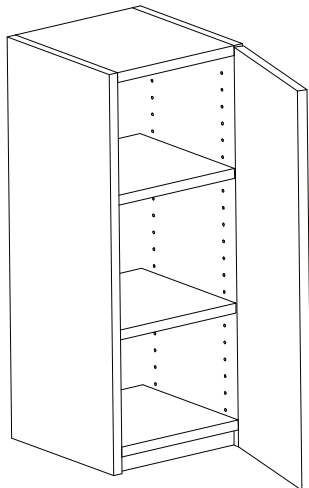
All Cabinets Heights, Depth, and Width are fully Customizable to the 1/4".



EXPLODED VIEW OF CABINET



WALL CABINETS - 12" DEEP

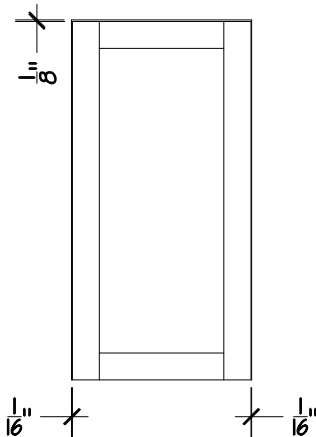


STANDARD SIZES

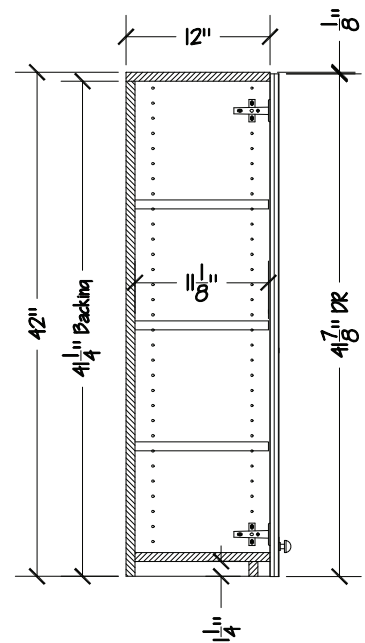
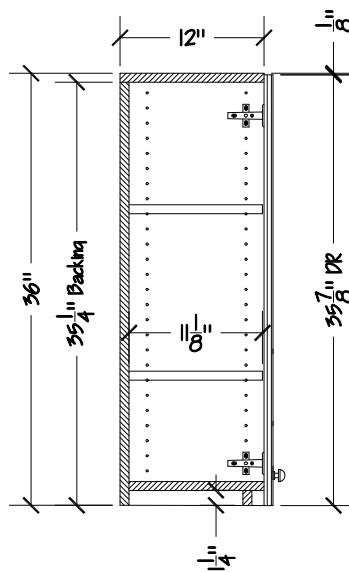
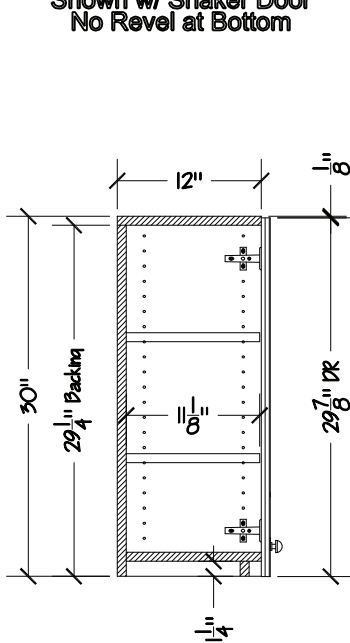
SKU	CUBES
W0930	2
W1230	3
W1530	4
W1830	4
W2130	5
W0936	3
W1236	3
W1536	4
W1836	5
W2136	6
W0942	3
W1242	3.5
W1542	4.5
W1842	6
W2142	7

- Single Door
- 30" & 36" H - Two Adjustable Shelves
- 42" H - Three Adjustable Shelves
- Available widths: 9" - 21"

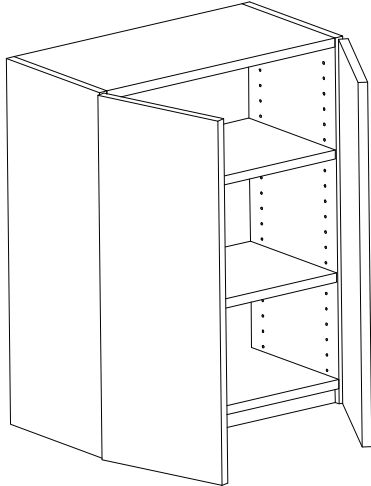
* All Cabinets are able to be Customised to the 1/4" in Height, Width and Depth.



DOOR REVEAL
Shown w/ Shaker Door
No Reveal at Bottom



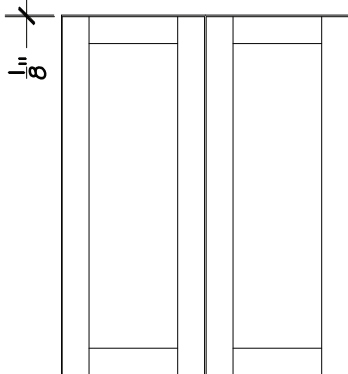
WALL CABINETS - 12" DEEP



STANDARD SIZES

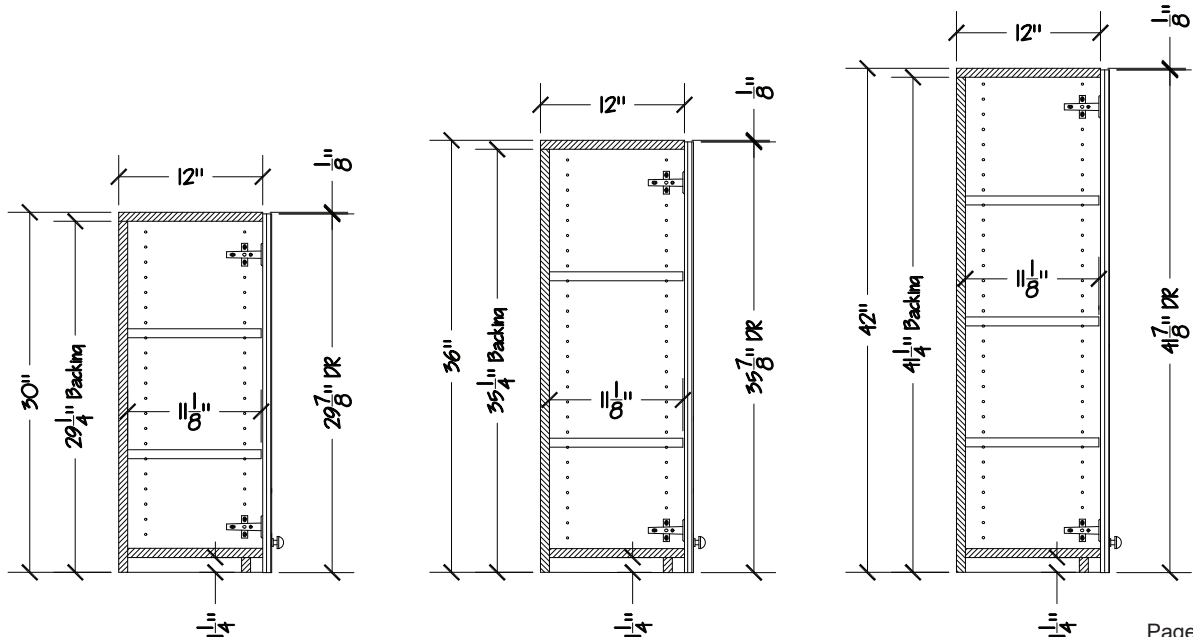
SKU	CUBES
W2430	5
W2730	6
W3030	7
W3330	7
W3630	8
W2436	6
W2736	7
W3036	8
W3336	9
W3636	9
W2442	7
W2742	8
W3042	9
W3342	10
W3642	11
W4242	12.25

- Two Butt Doors
- 30" & 36" H - Two Adjustable Shelves
- 42" H - Three Adjustable Shelves
- Available widths: 24" - 42"

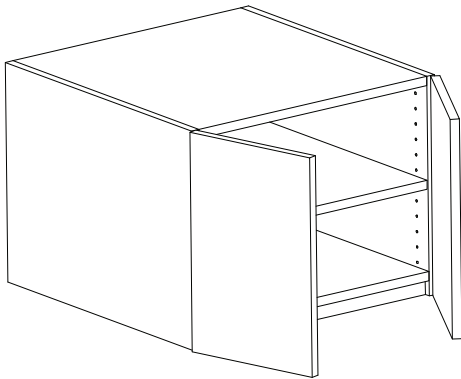


* All Cabinets are able to be Customised to the 1/4" in Height, Width and Depth.

DOOR REVEAL
Shown w/ Shaker Doors
No Reveal at Bottom

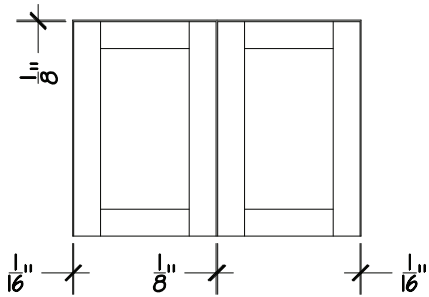


WALL CABINETS - REFRIGERATOR - 12" DEEP

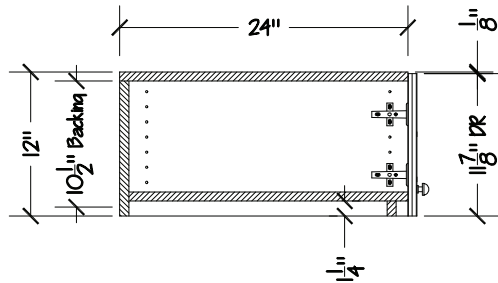


SKU	CUBES	
W241224	4	
W241524	5	
W241824	6	
W242424	8	
W301224	5	
W301524	6.5	
W301824	7.5	
W302424	10	
W331224	5.5	
W331524	7	
W331824	8.5	
W332424	11	
W361224	6	
W361524	7.5	
W361824	9	
W362424	12	

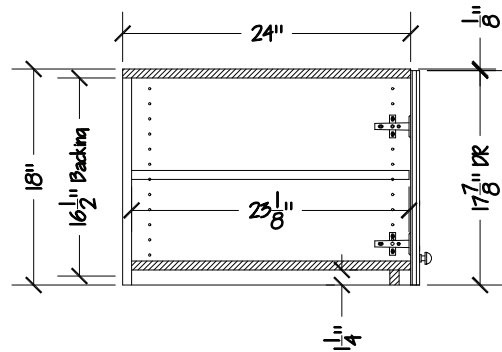
- Two Butt Doors
- Available heights 12", 15", 18" & 24"
- Available widths: 24", 30", 33" & 36"



DOOR REVEAL
Shown w/ Shaker Doors
No Reveal at Bottom



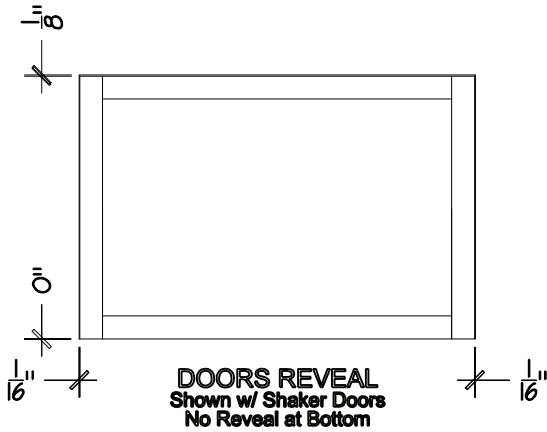
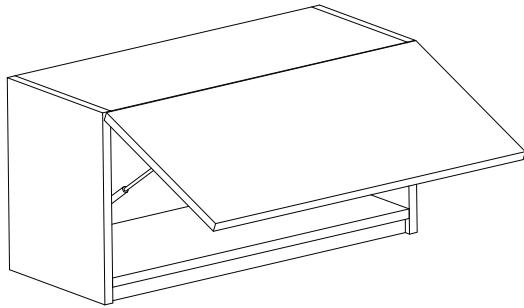
12"H CABINET SHOWN



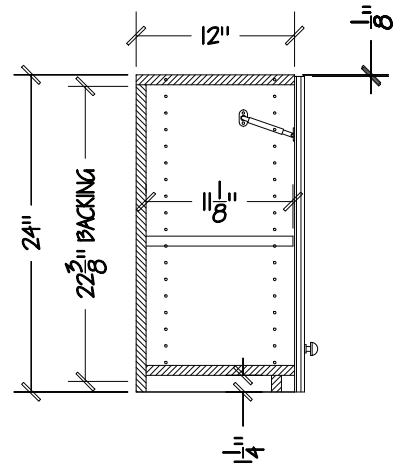
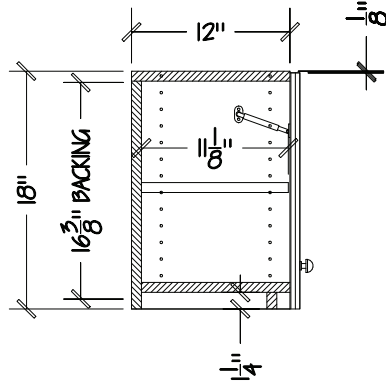
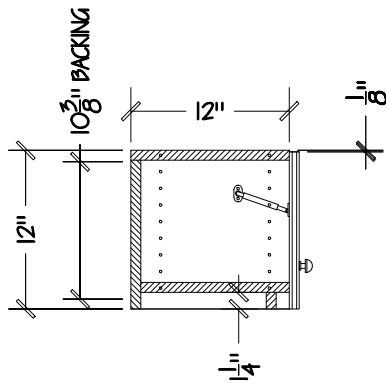
18"H CABINET SHOWN

WALL CABINET LIFT UP DOOR - 12" DEEP

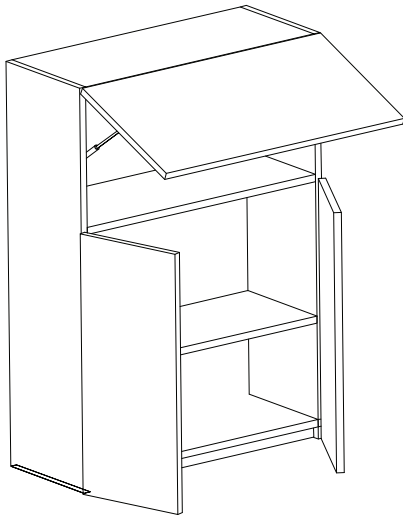
SKU	CUBES	
LW2412	2	
LW2712	2.25	
LW3012	2.5	
LW3312	2.75	
LW3612	3	
LW2415	2.5	
LW2715	3	
LW3015	3.75	
LW3315	4.25	
LW3615	4.5	
LW2418	3	
LW2718	3.5	
LW3018	3.75	
LW3318	4.25	
LW3618	4.5	
LW2424	4	
LW2724	4.25	
LW3024	5	
LW3324	5.5	
LW3624	6	



- Flip up Door
- One Adjustable Shelf
- Available widths: 24" - 36"
- Available height: 12" - 24"

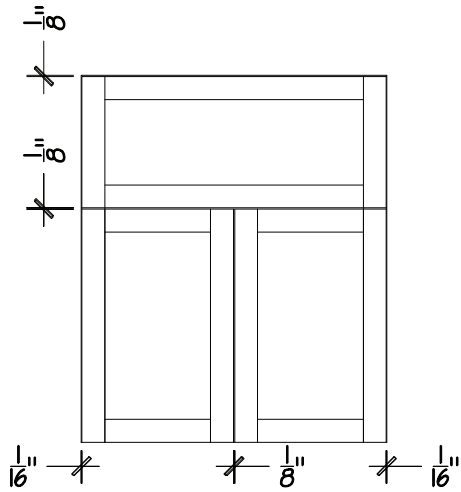


WALL CABINET COMBO - 12" DEEP

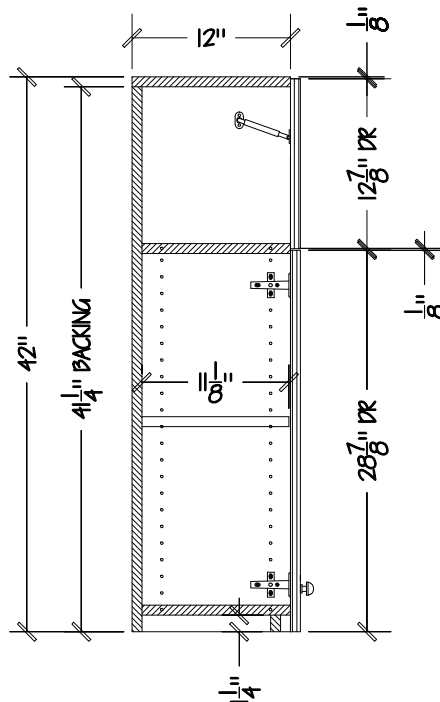
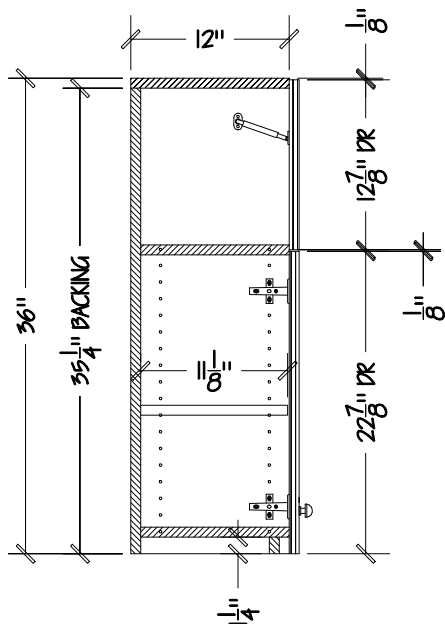


SKU	CUBES	
WCC2436	6	
WCC2736	7	
WCC3036	7.5	
WCC3336	8.25	
WCC3636	9	
WCC2442	7	
WCC2742	8	
WCC3042	9	
WCC3342	9.75	
WCC3642	10.5	

- Flip up Door
- Two Butt Doors
- One Adjustable Shelf
- Available widths: 24" - 36"
- Available height: 36" or 42"



DOORS REVEAL
Shown w/ Shaker Doors
No Reveal at Bottom

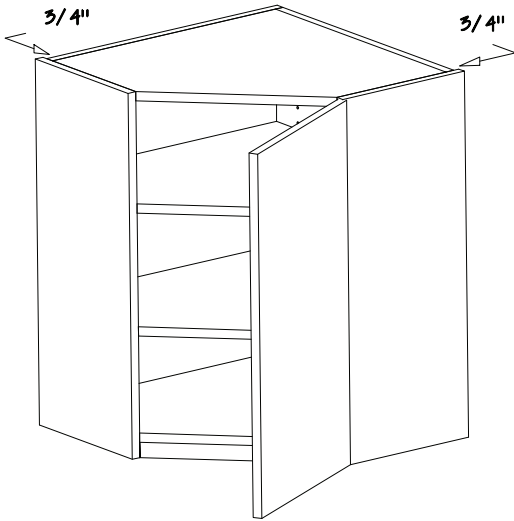


WALL DIAGONAL CABINET - 24" DEEP

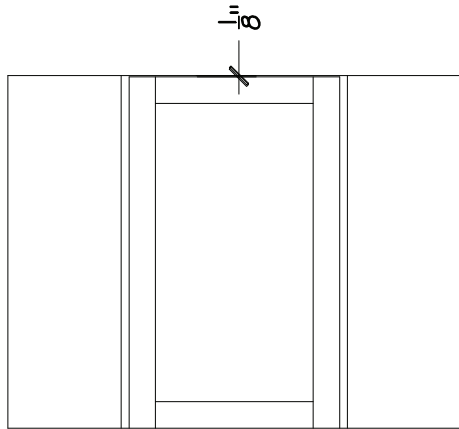
SKU

CUBES

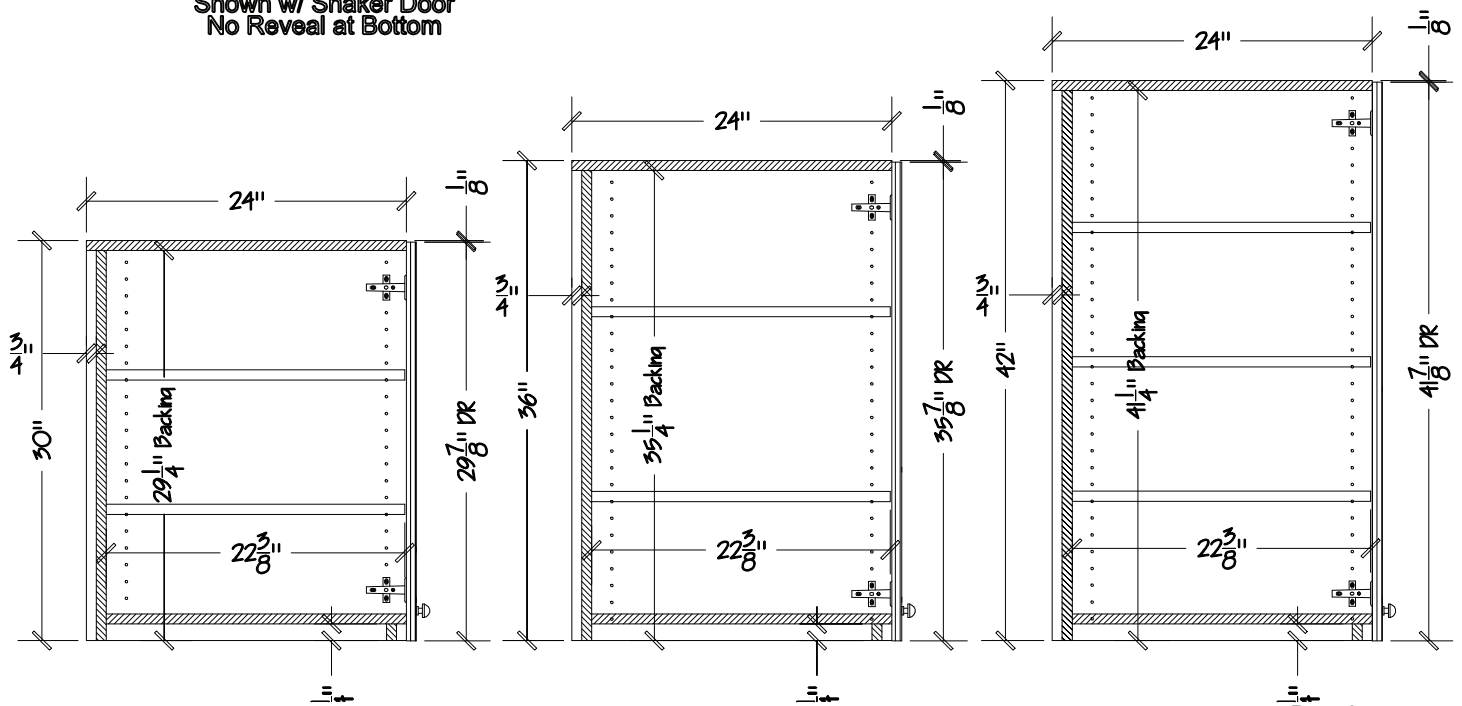
SKU	CUBES	
WDC2430	10	
WDC2436	12	
WDC2442	14	



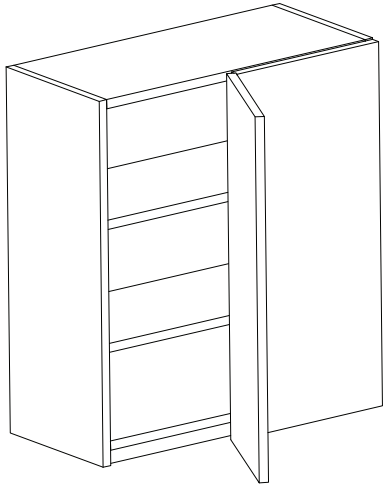
- Single Door
- 30" & 36" H - Two Adjustable Shelves
- 42" H - Three Adjustable Shelves
- Available widths: 24" x 24"



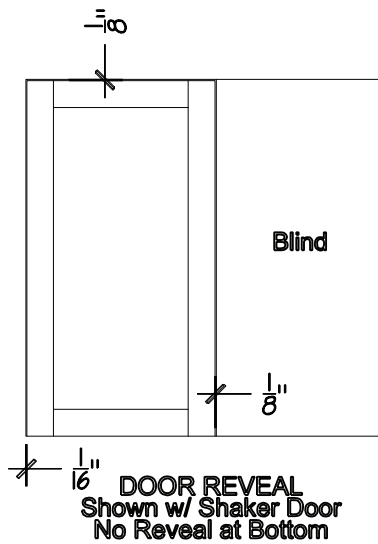
DOOR REVEAL
Shown w/ Shaker Door
No Reveal at Bottom



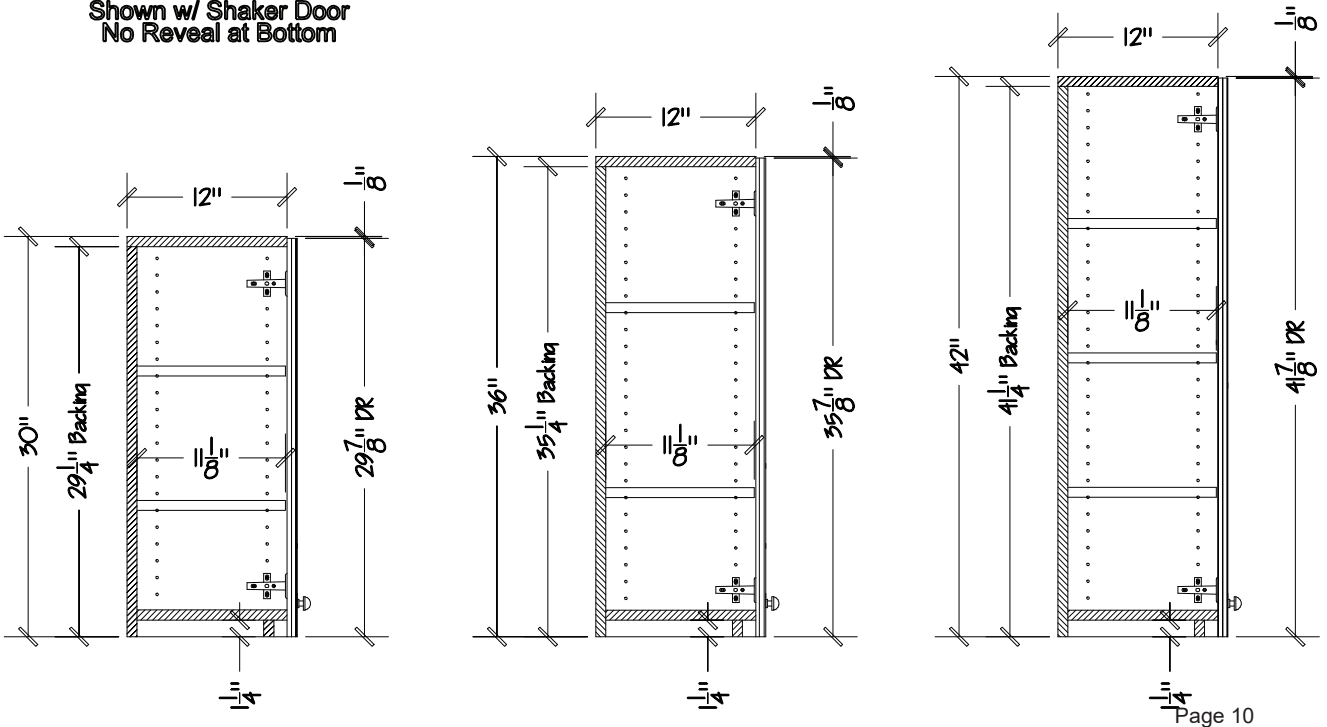
BLIND WALL CABINET - 12" DEEP



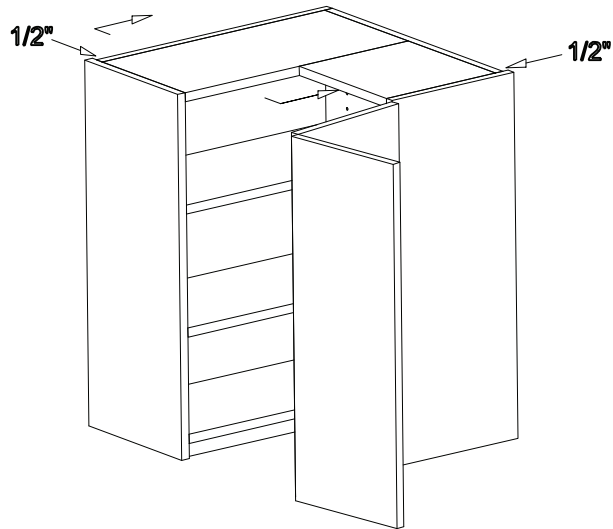
SKU	CUBES
BW2730	6
BW3030	7
BW3330	7
BW3630	8
BW3930	8.5
BW4230	9
BW2736	7
BW3036	8
BW3336	9
BW3636	9
BW3936	10
BW4236	11
BW2742	8
BW3042	9
BW3342	10
BW3642	11
BW3942	12
BW4242	13



- One Door for width up to 33"
- Two Doors for width 36" and up
- 30" & 36" H - Two Adjustable Shelves
- 42" high Three Adjustable Shelves
- Available widths: 27" - 42"
- Available Left or Right
- Blind 14" wide x height of cabinet

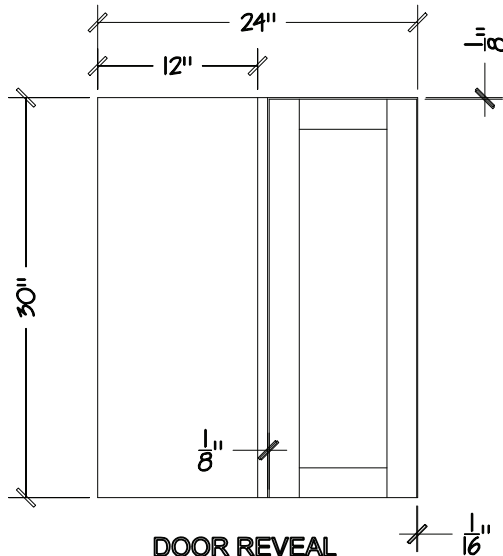


WALL EASY REACH CABINET - 24" DEEP

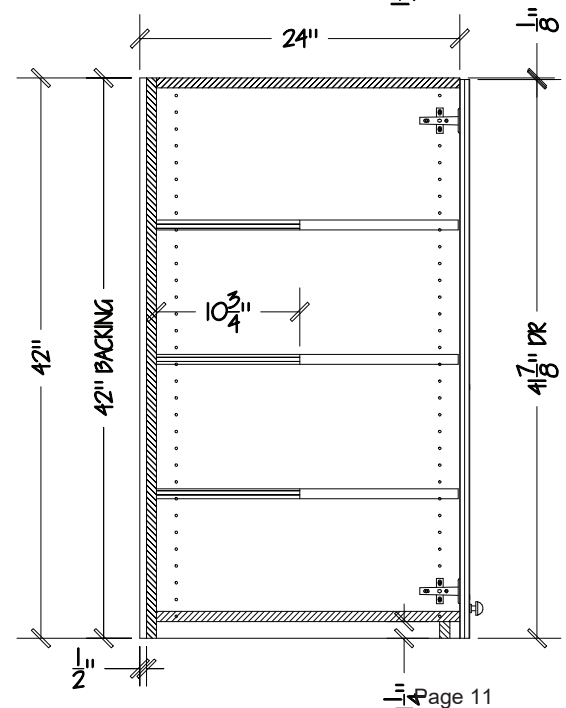
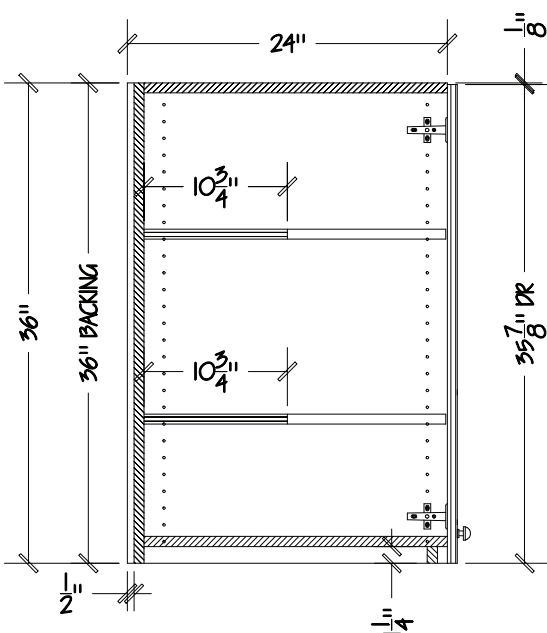
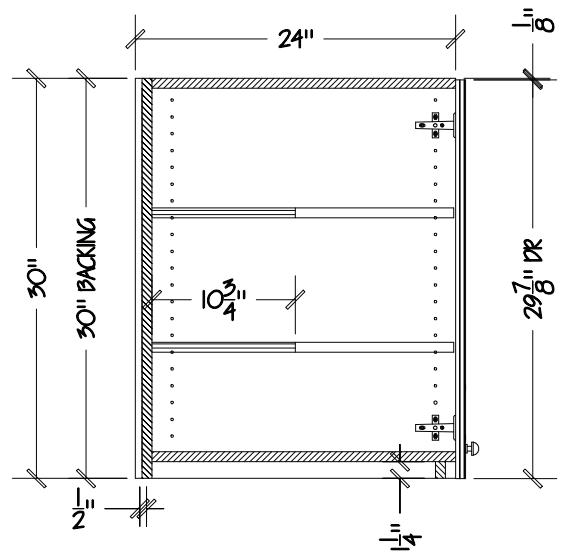


SKU	CUBES	
WER2430	10	
WER2436	12	
WER2442	14	

- Bifold Doors
- 30" & 36" H - Two Adjustable Shelves
- 42" H - Three Adjustable Shelves
- Available widths: 24" x 24"
- Soft Close not available
- Indicate position of hinge on order L or R



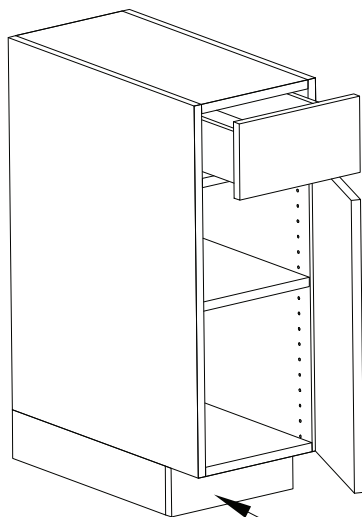
DOOR REVEAL
Shown w/ Shaker Door
No Reveal at Bottom



BASE CABINET - ONE DOOR - 24" DEEP

STANDARD SIZES

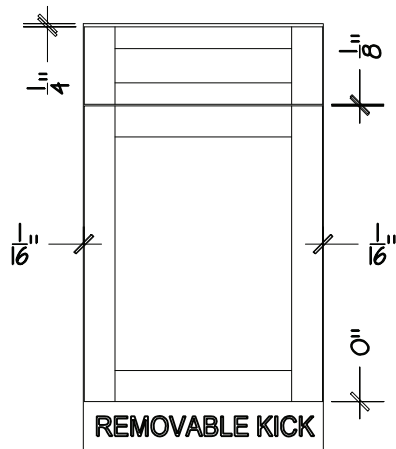
SKU	CUBES	
B9	5	
B12	6	
B15	8	
B18	9	
B21	11	



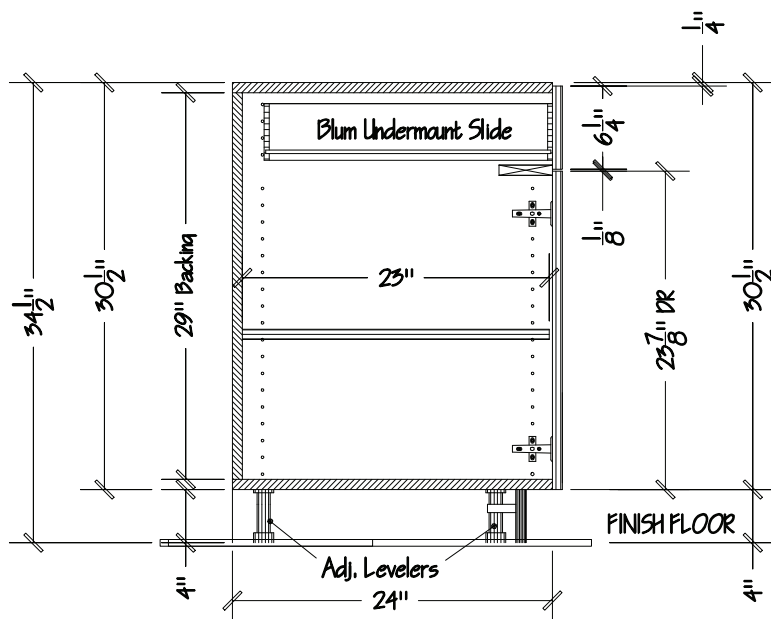
LEVELERS

- Single Door
- One Drawer
- One Adjustable Shelf
- Available widths: 12" - 21"
- 4" Adjustable Levelers
- Click On Toe Kick
- Accessories Available

* All Cabinets are able to be Customised to the 1/4" in Height, Width and Depth.



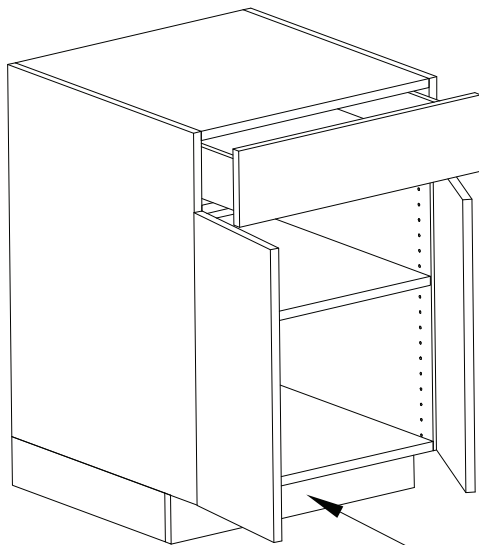
REMOVABLE KICK
DOOR REVEAL
Shown w/ Shaker Doors
No Reveal at Bottom



BASE CABINET - TWO DOOR - 24" DEEP

STANDARD SIZES

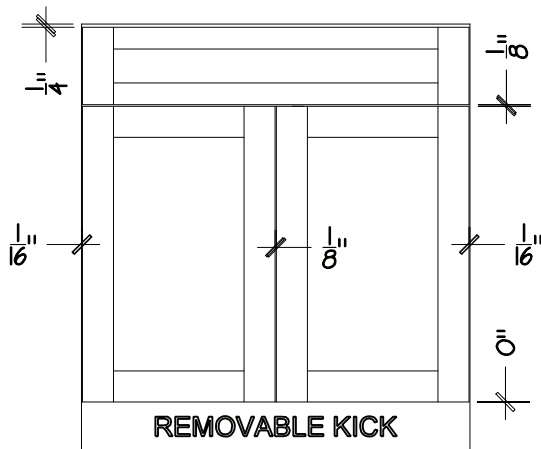
SKU	CUBES	
B24	12	
B27	13	
B30	15	
B33	16	
B36	18	



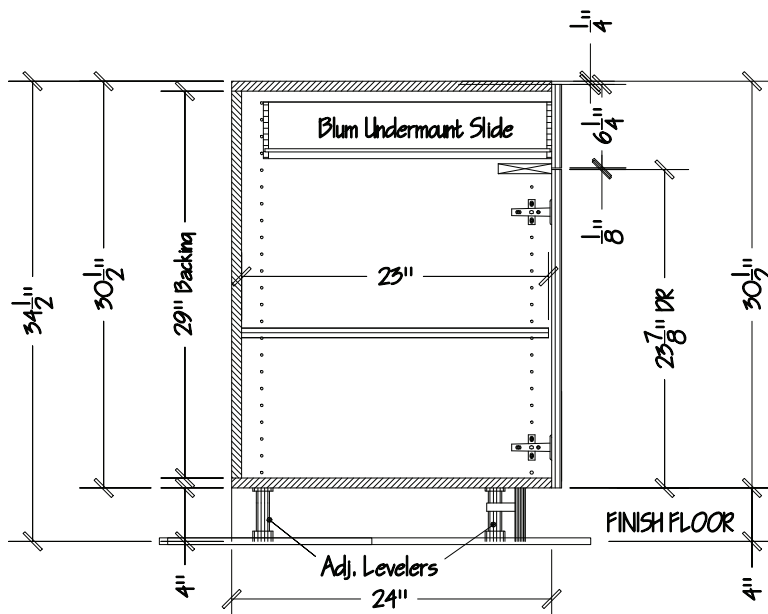
LEVELERS

- Two Butt Doors
- One Drawer
- One Adjustable Shelf
- Available widths: 24" - 33"
- 4" Adjustable Levelers
- Click On Toe Kick
- Accessories Available

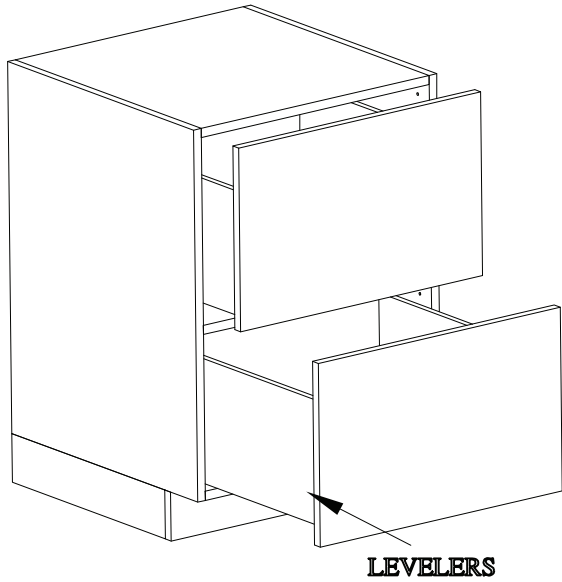
* All Cabinets are able to be Customised to the 1/4" in Height, Width and Depth.



DOOR REVEAL
Shown w/ Shaker Doors
No Reveal at Bottom



BASE CABINET - TWO DRAWERS - 24" DEEP



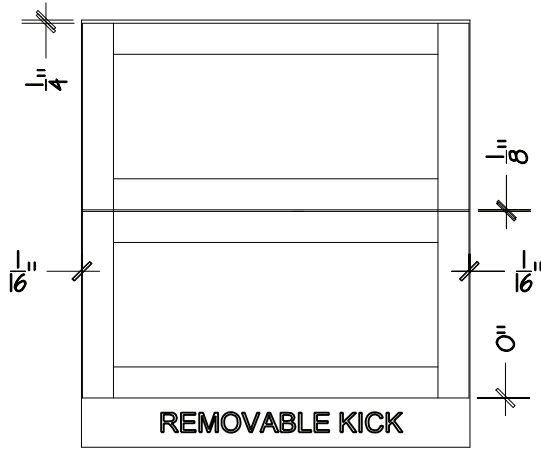
LEVELERS

STANDARD SIZES

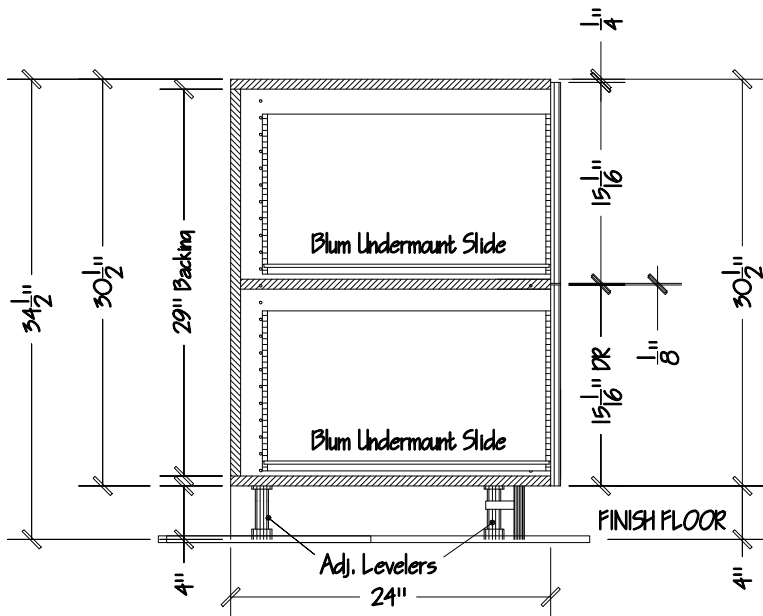
SKU	CUBES	
2DB9	5	
2DB12	6	
2DB15	8	
2DB18	9	
2DB21	11	
2DB24	12	
2DB27	13	
2DB30	15	
2DB33	16	
2DB36	18	

- Two Drawers
- Available widths: 9" - 36"
- 4" Adjustable Levelers
- Click On Toe Kick

* All Cabinets are able to be Customised to the 1/4" in Height, Width and Depth.

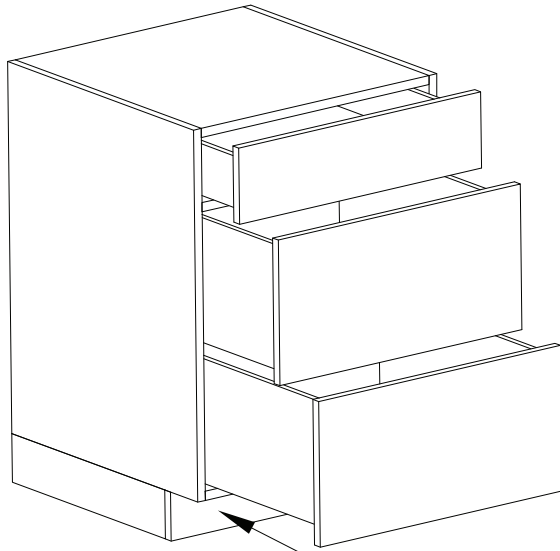


DOOR REVEAL
Shown w/ Shaker Doors
No Reveal at Bottom



BASE CABINET - THREE DRAWERS - 24" DEEP

STANDARD SIZES

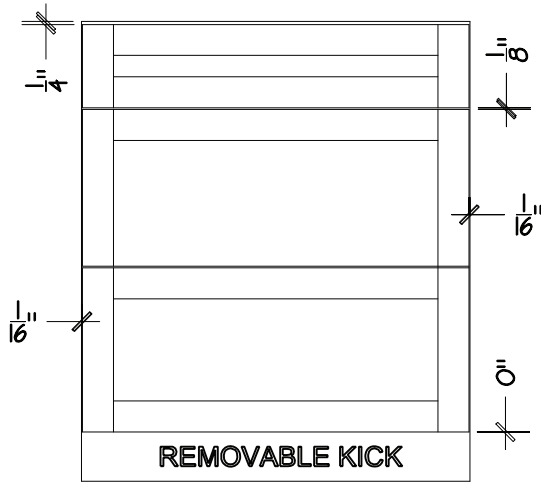


LEVELERS

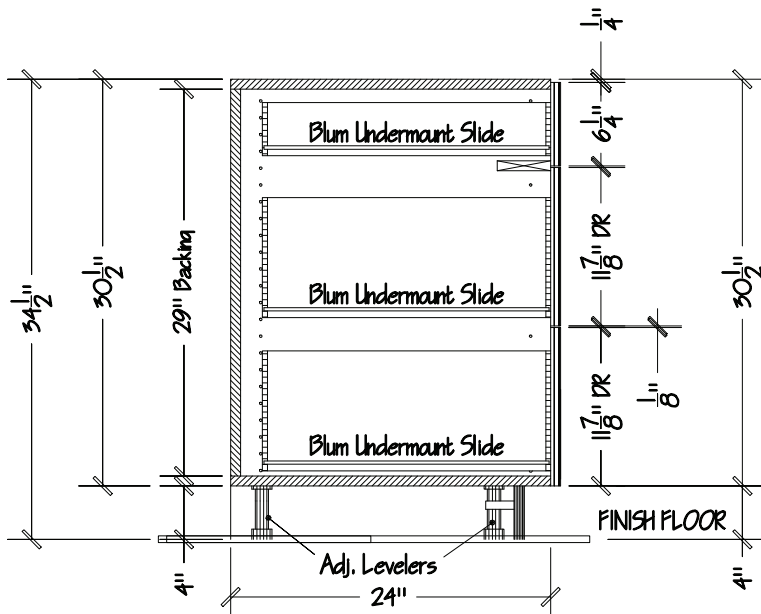
SKU	CUBES	
3DB9	5	
3DB12	6	
3DB15	8	
3DB18	9	
3DB21	11	
3DB24	12	
3DB27	13	
3DB30	15	
3DB33	16	
3DB36	18	

- Three Drawers
- Available widths: 9" - 36"
- 4" Adjustable Levelers
- Click On Toe Kick

* All Cabinets are able to be Customised to the 1/4" in Height, Width and Depth.

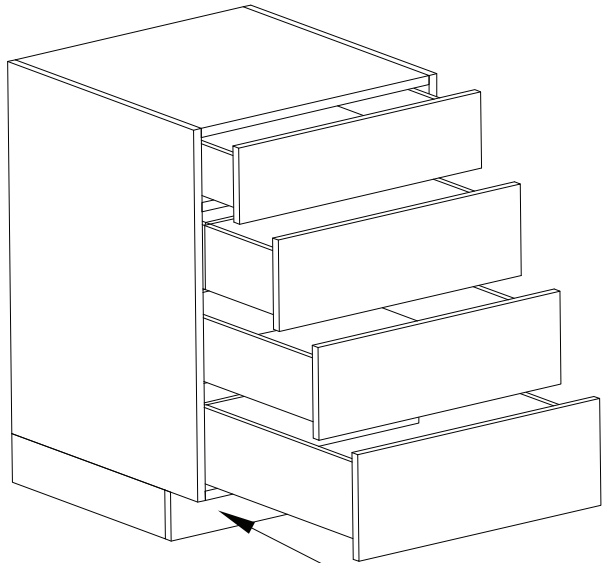


DOOR REVEAL
Shown w/ Shaker Doors
No Reveal at Bottom



BASE CABINET - FOUR DRAWERS - 24" DEEP

STANDARD SIZES

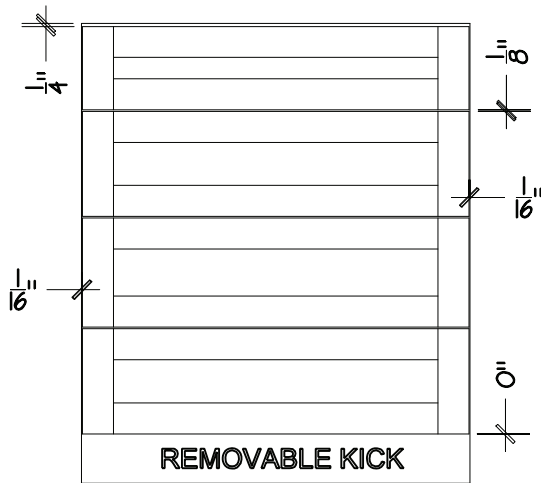


LEVELERS

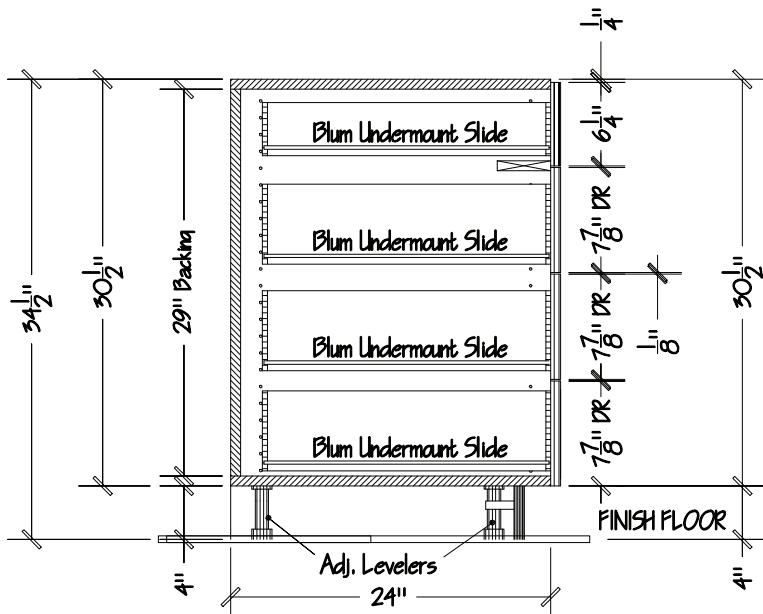
SKU	CUBES	
4DB9	5	
4DB12	6	
4DB15	8	
4DB18	9	
4DB21	11	
4DB24	12	
4DB27	13	
4DB30	15	
4DB33	16	
4DB36	18	

- Four Drawers
- Available widths: 9" - 36"
- 4" Adjustable Levelers
- Click On Toe Kick

* All Cabinets are able to be Customised to the 1/4" in Height, Width and Depth.



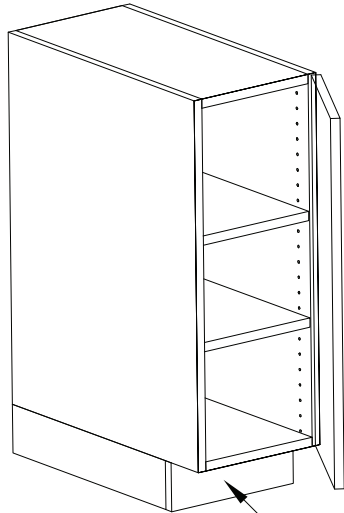
DOOR REVEAL
Shown w/ Shaker Doors
No Reveal at Bottom



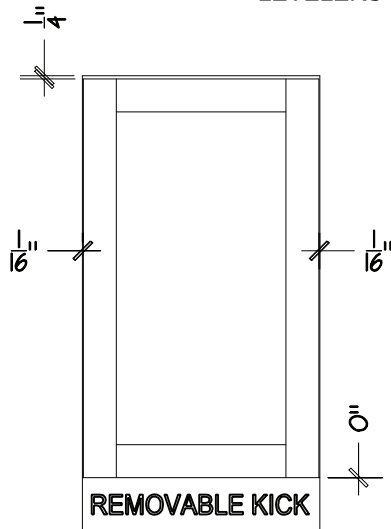
BASE CABINET - FULL HIGH DOOR - 24" DEEP

STANDARD SIZES

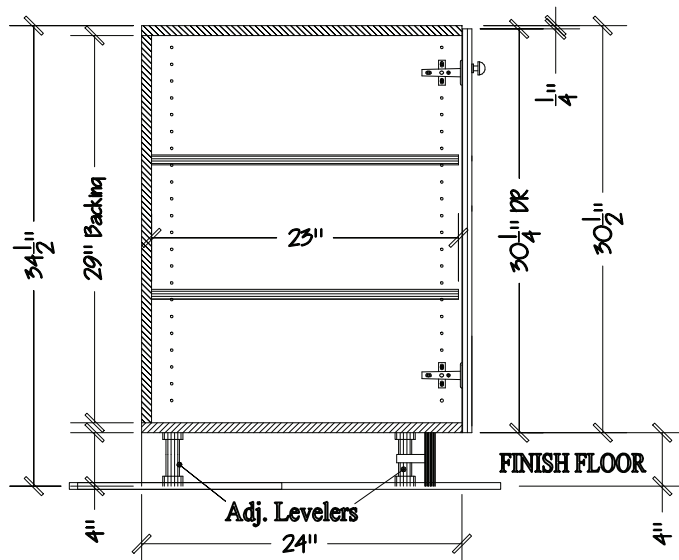
SKU	CUBES	
B9FH	5	
B12FH	6	
B15FH	8	
B18FH	9	
B21FH	11	



LEVELERS



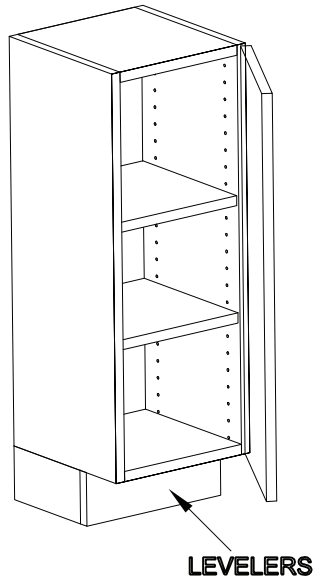
DOOR REVEAL
Shown w/ Shaker Doors
No Reveal at Bottom



- One Full Height Door
- Two Adjustable Shelves
- Available widths: 9" - 21"
- 4" Adjustable Levelers
- Click On Toe Kick
- Accessories Available

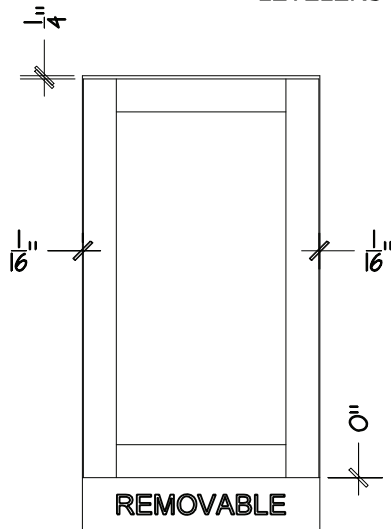
* All Cabinets are able to be Customised to the 1/4" in Height, Width and Depth.

BASE CABINET - FULL HIGH DOOR - 12" DEEP

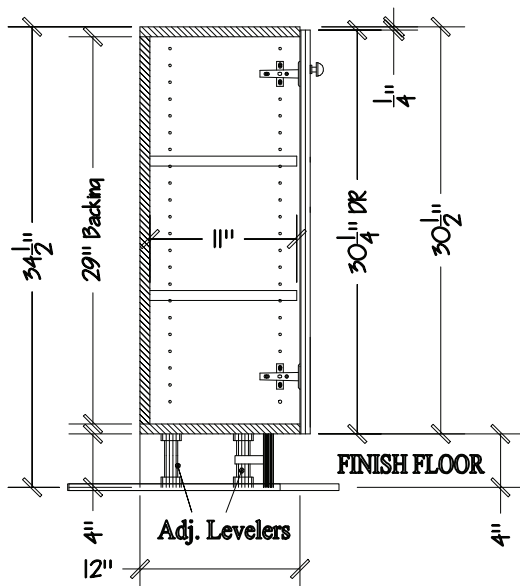


SKU	CUBES	
B9FH12	5	
B12FH12	6	
B15FH12	8	
B18FH12	9	
B21FH12	11	

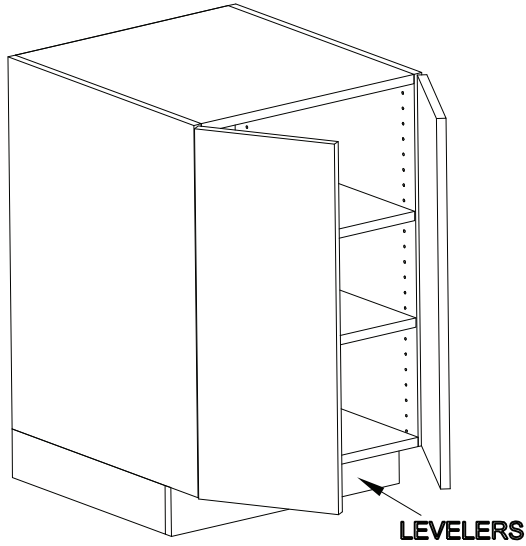
- One Full Height Door
- Two Adjustable Shelves
- Available widths: 9" - 21"
- 4" Adjustable Levelers
- Click On Toe Kick



DOOR REVEAL
Shown w/ Shaker Doors
No Reveal at Bottom

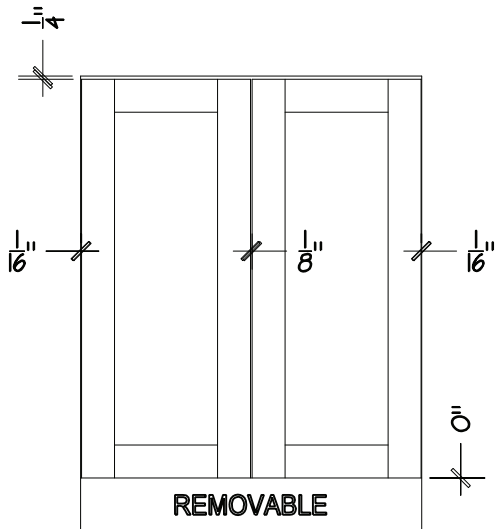


BASE CABINET - TWO FULL HIGH DOOR - 24" DEEP

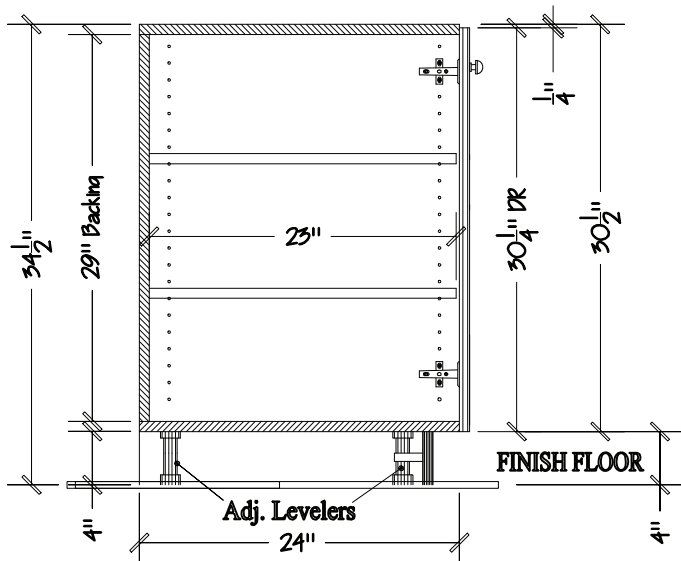


SKU	CUBES	
B24FH	12	
B27FH	13	
B30FH	15	
B33FH	16	
B36FH	18	

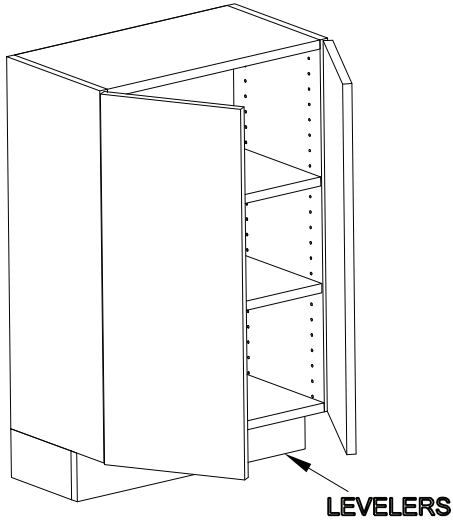
- Two Full Height Doors
- Two Adjustable Shelves
- Available widths: 24" - 36"
- 4" Adjustable Levelers
- Click On Toe Kick



DOOR REVEAL
Shown w/ Shaker Doors
No Reveal at Bottom

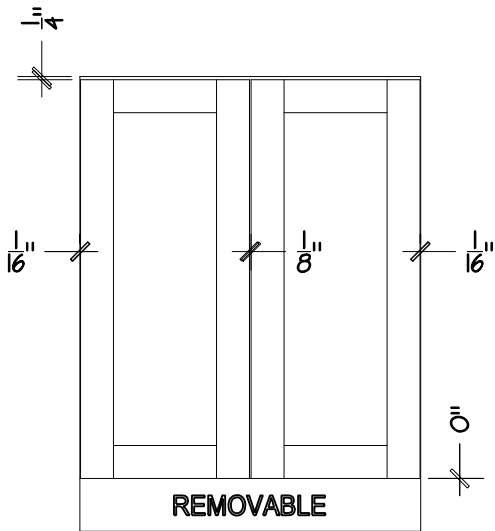


BASE CABINET - TWO FULL HIGH DOOR - 12" DEEP

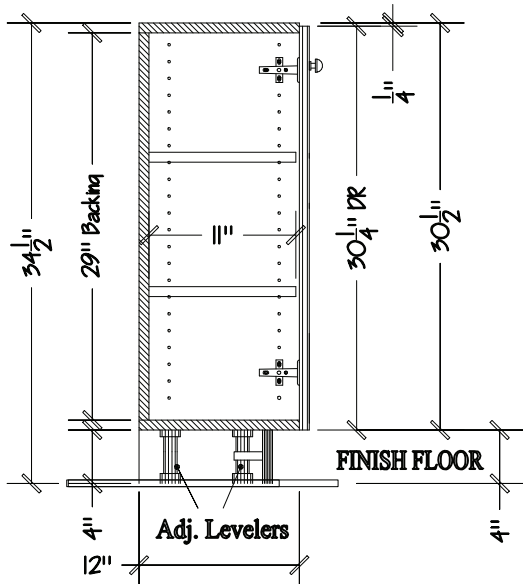


SKU	CUBES	
B24FH12	12	
B27FH12	13	
B30FH12	15	
B33FH12	16	
B36FH12	18	

- Two Full Height Doors
- Two Adjustable Shelves
- Available widths: 24" - 36"
- 4" Adjustable Levelers
- Click On Toe Kick

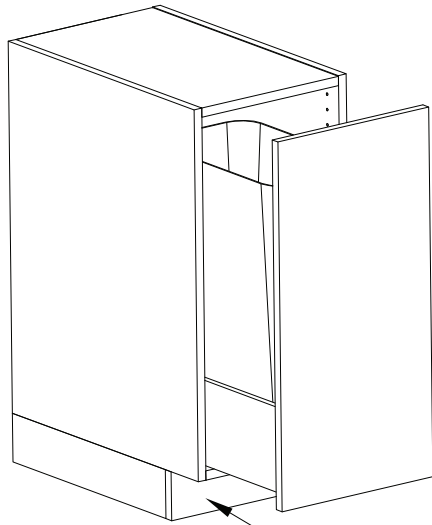


DOOR REVEAL
Shown w/ Shaker Doors
No Reveal at Bottom



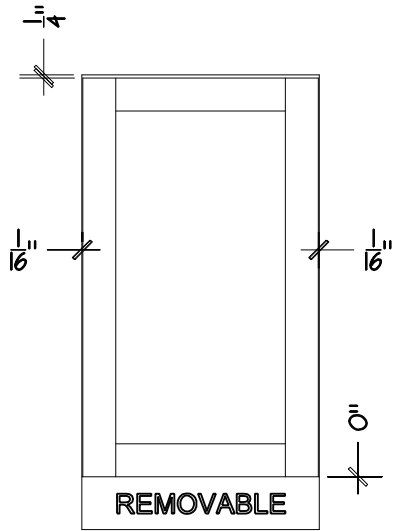
BASE CABINET - FULL HIGH DOOR SINGLE GARBAGE BIN - 24" DEEP

SKU	CUBES
BWB15FH	8

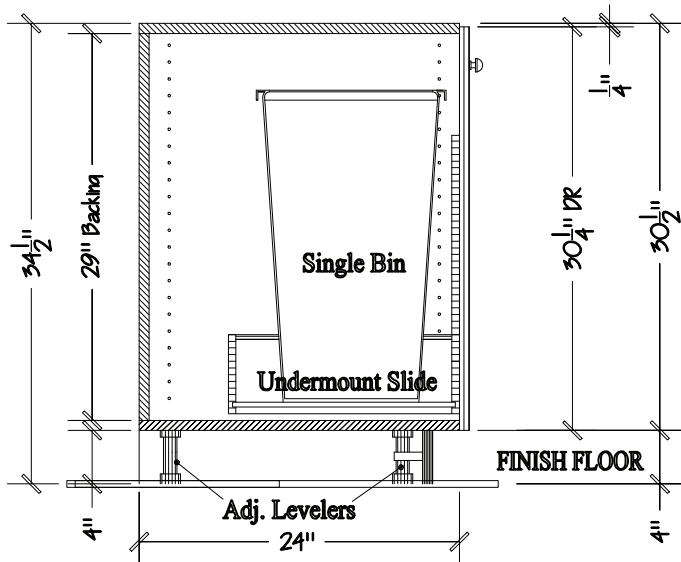


LEVELERS

- One Full Height Door
- Available widths: 15" Only
- 4" Adjustable Levelers
- Click On Toe Kick
- Single 50qt Garbage Bin Pullout

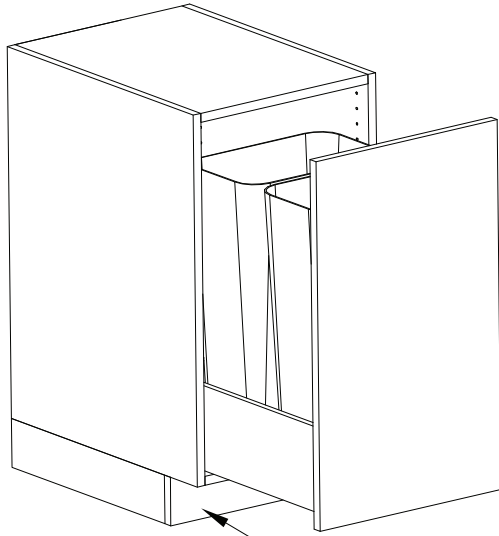


DOOR REVEAL
Shown w/ Shaker Doors
No Reveal at Bottom

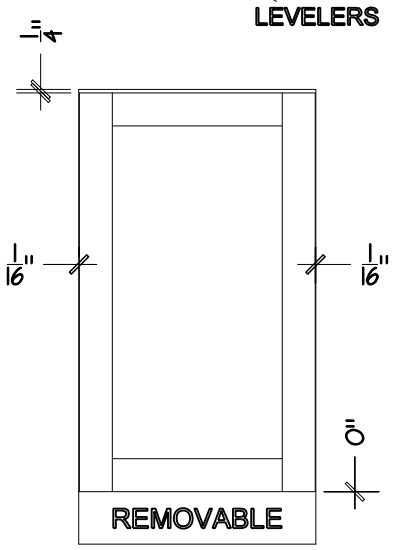


BASE CABINET - FULL HIGH DOOR DOUBLE GARBAGE BINS - 24" DEEP

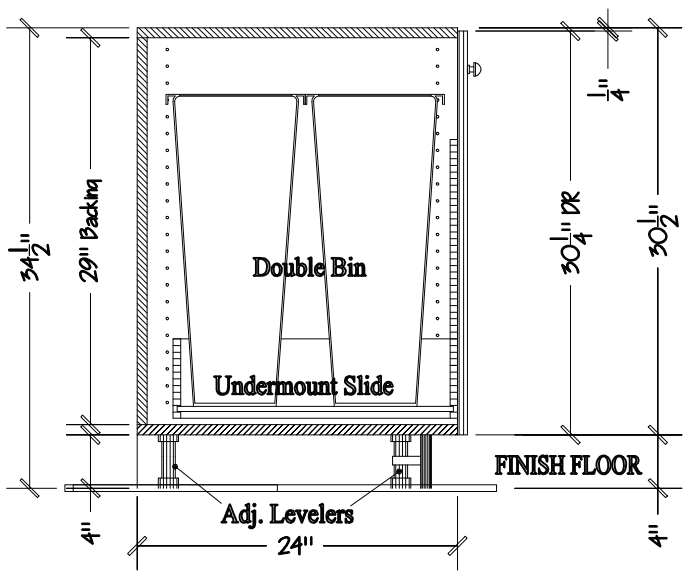
SKU	CUBES
BWB18FH	8



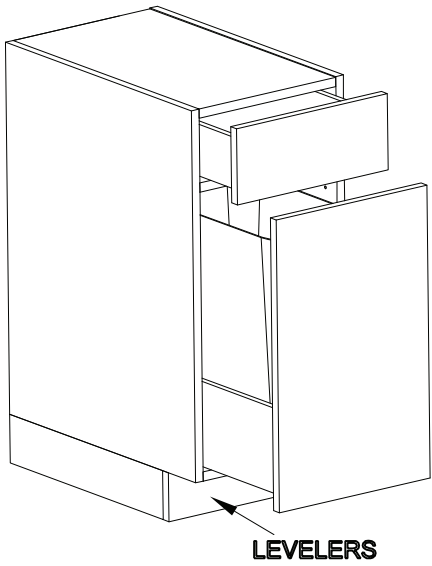
- One Full Height Door
- Available widths: 18" Only
- 4" Adjustable Levelers
- Click On Toe Kick
- Double 50qt Garbage Bin Pullout



DOOR REVEAL
Shown w/ Shaker Doors
No Reveal at Bottom

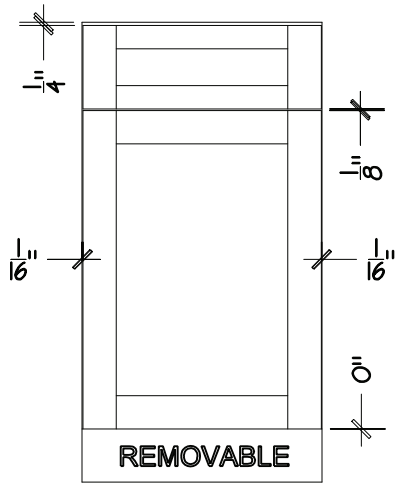


BASE CABINET - SINGLE GARBAGE BIN - 24" DEEP

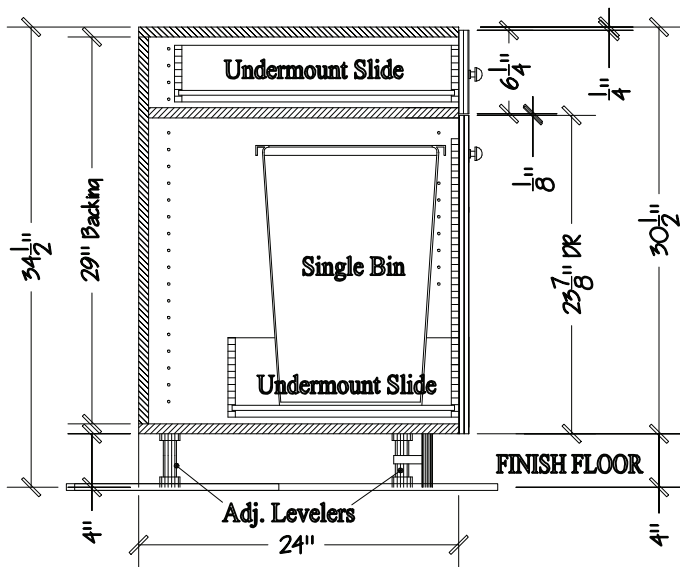


SKU	CUBES
BWB15	8

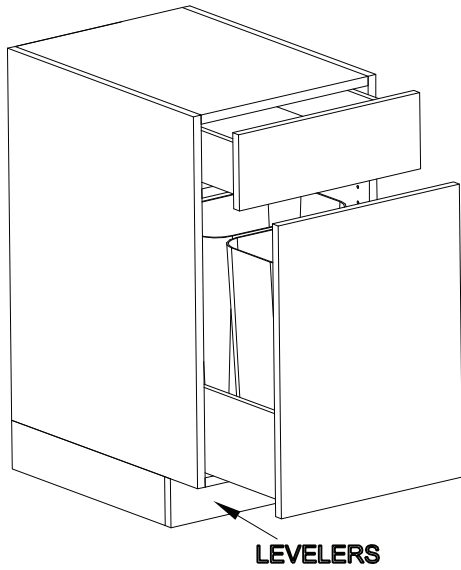
- One Drawer
- One Drawer Pullout
- Single 35qt Garbage Bin
- Available widths: 15" Only
- 4" Adjustable Levelers
- Click On Toe Kick



DOOR REVEAL
Shown w/ Shaker Doors
No Reveal at Bottom

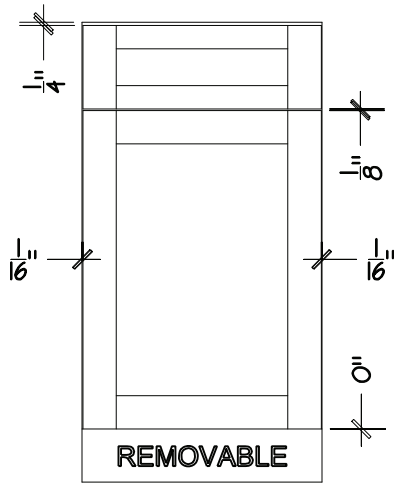


BASE CABINET - DOUBLE GARBAGE BINS - 24" DEEP

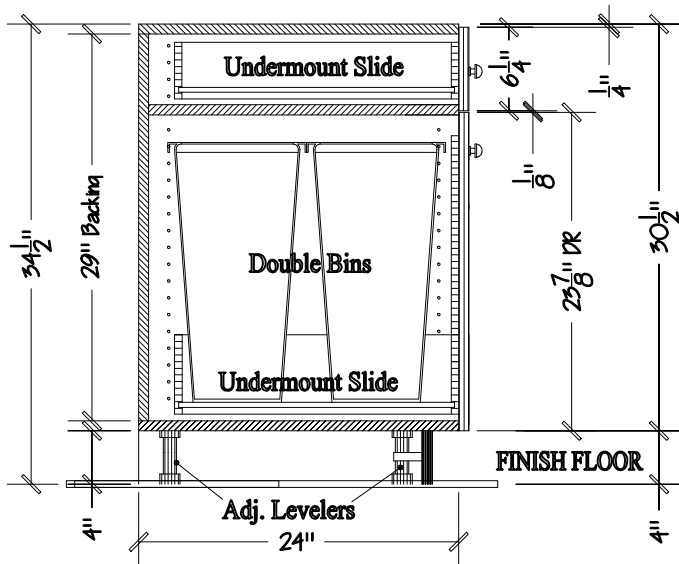


SKU	CUBES
BWB18	9

- . One Drawer
- . One Drawer Pullout
- . Double 35qt Garbage Bins
- . Available widths: 18" Only
- . 4" Adjustable Levelers
- . Click On Toe Kick



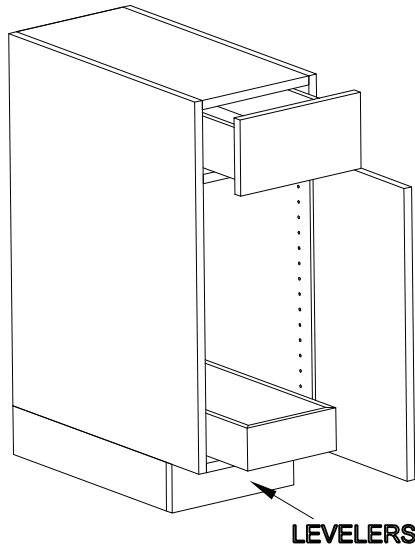
DOOR REVEAL
Shown w/ Shaker Door



BASE CABINET - ONE DOOR SINGLE ROLLOUT - 24" DEEP

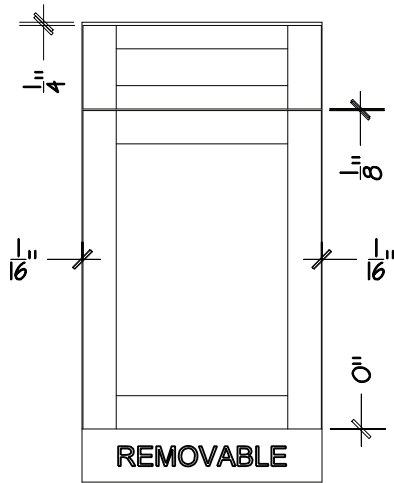
STANDARD SIZES

SKU	CUBES	
B12RO-1	6	
B15RO-1	8	
B18RO-1	9	
B21RO-1	11	

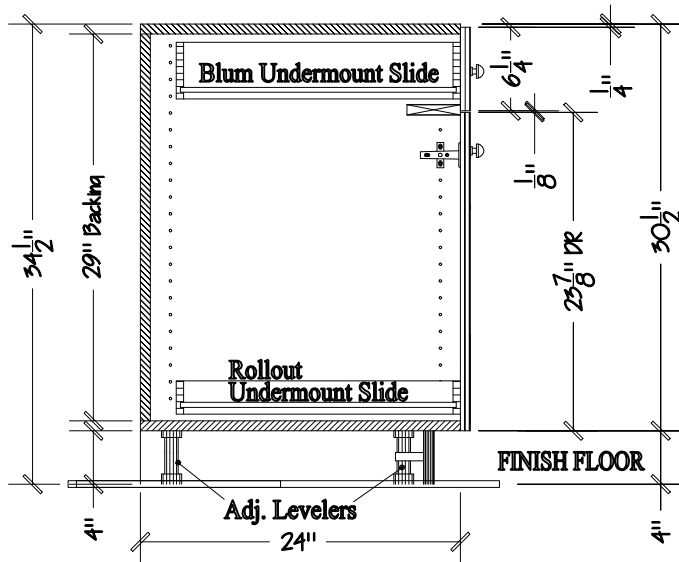


- . Single Door
- . One Drawer
- . One Rollout - available in 2 1/2, 3 1/2, 4 1/2 Ht
- . Available widths: 12" - 21 "
- . 4" Adjustable Levelers
- . Click On Toe Kick
- . Available Left or Right
- . Accessories Available

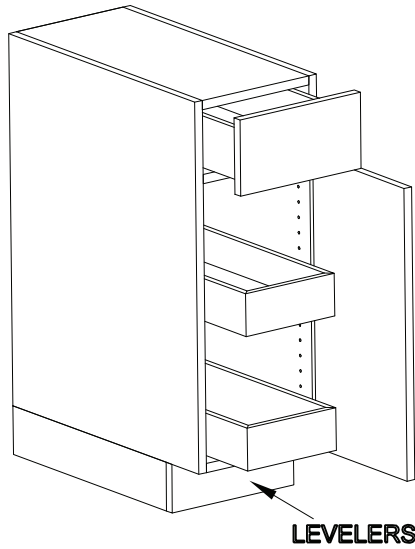
* All Cabinets are able to be Customised to the 1/4" in Height, Width and Depth.



DOOR REVEAL
Shown w/ Shaker Doors
No Reveal at Bottom

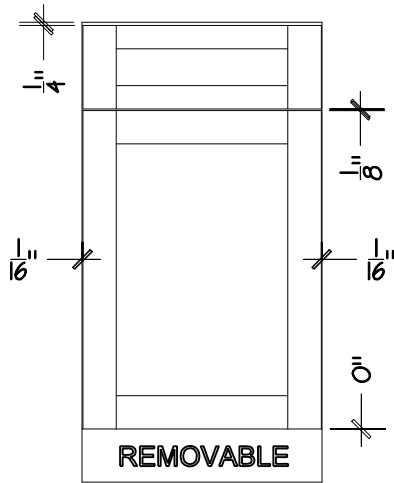


BASE CABINET - ONE DOOR DOUBLE ROLLOUTS - 24" DEEP

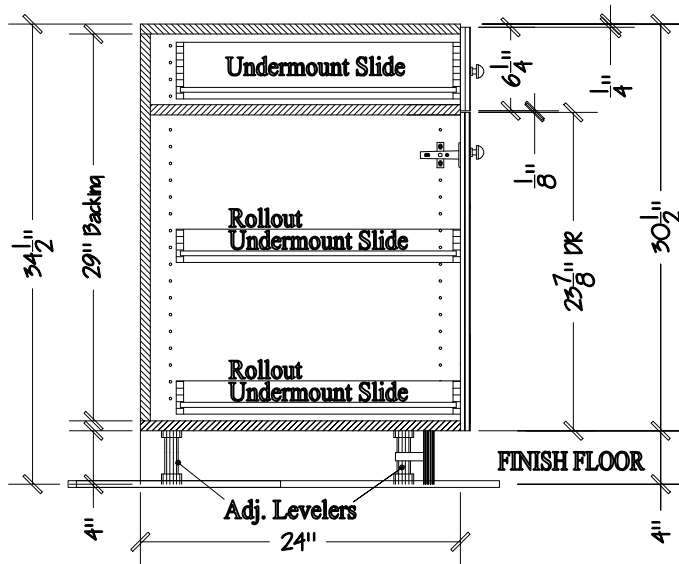


SKU	CUBES	
B12RO-2	6	
B15RO-2	8	
B18RO-2	9	
B21RO-2	11	

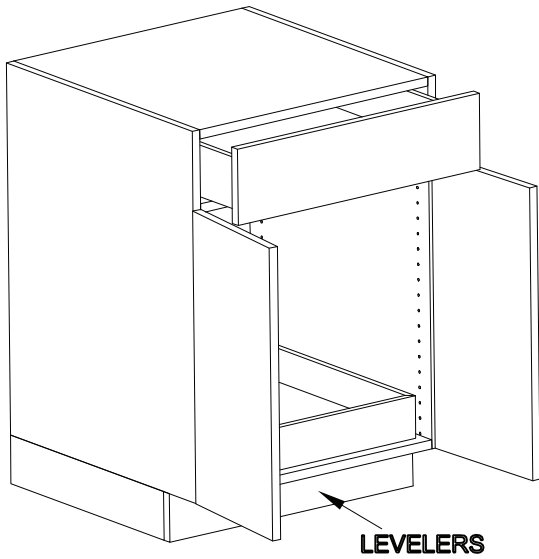
- . Single Door
- . One Drawer
- . Two Rollouts - available in 2 1/2, 3 1/2, 4 1/2 Ht
- . Available widths: 12" - 21 "
- . 4" Adjustable Levelers
- . Click On Toe Kick
- . Available Left or Right



DOOR REVEAL
Shown w/ Shaker Doors
No Reveal at Bottom

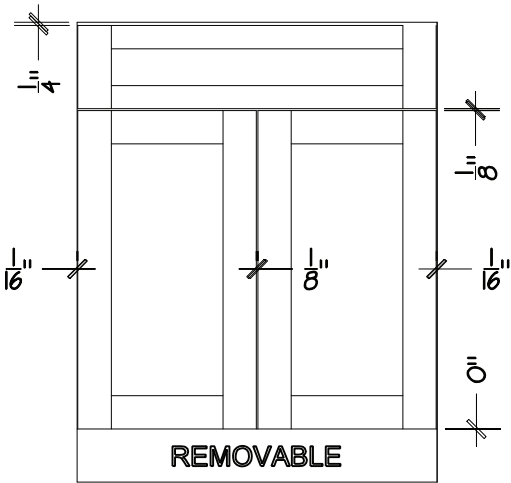


BASE CABINET - TWO DOORS SINGLE ROLLOUT - 24" DEEP

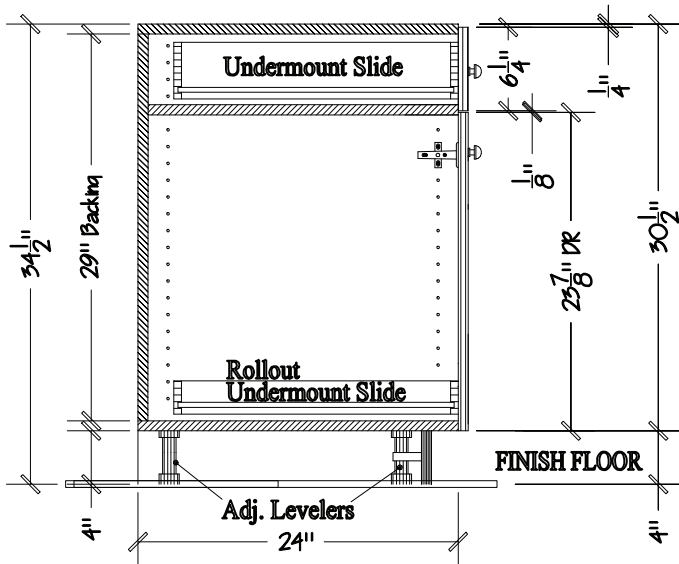


SKU	CUBES	
B24RO-1	12	
B27RO-1	13	
B30RO-1	15	
B33RO-1	16	
B36RO-1	18	

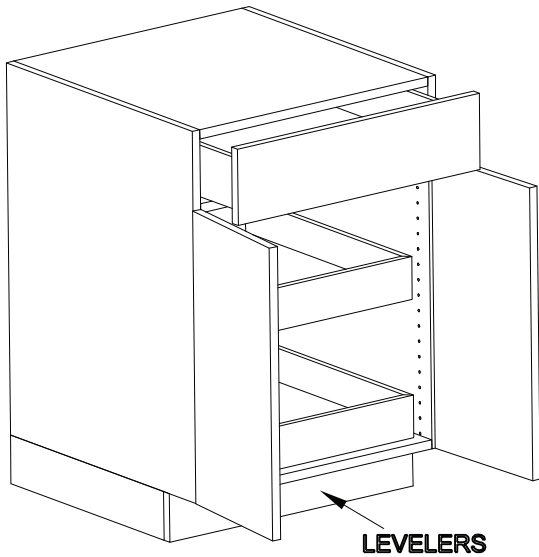
- . Two Butt Doors
- . One Drawer
- . One Rollout - available in 2 1/2, 3 1/2, 4 1/2 Ht
- . Available widths: 24" - 36"
- . 4" Adjustable Levelers
- . Click On Toe Kick



DOOR REVEAL
Shown w/ Shaker Doors
No Reveal at Bottom



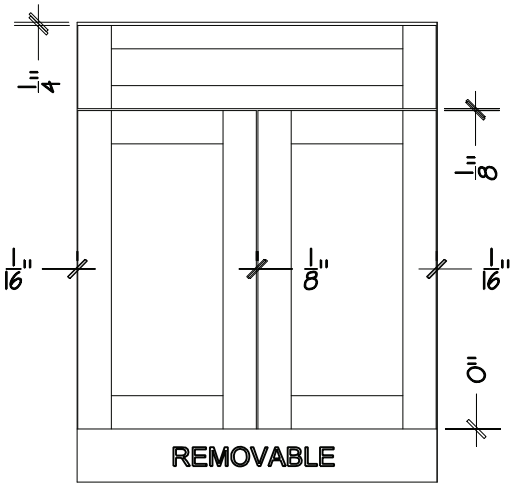
BASE CABINET - TWO DOORS DOUBLE ROLLOUTS - 24" DEEP



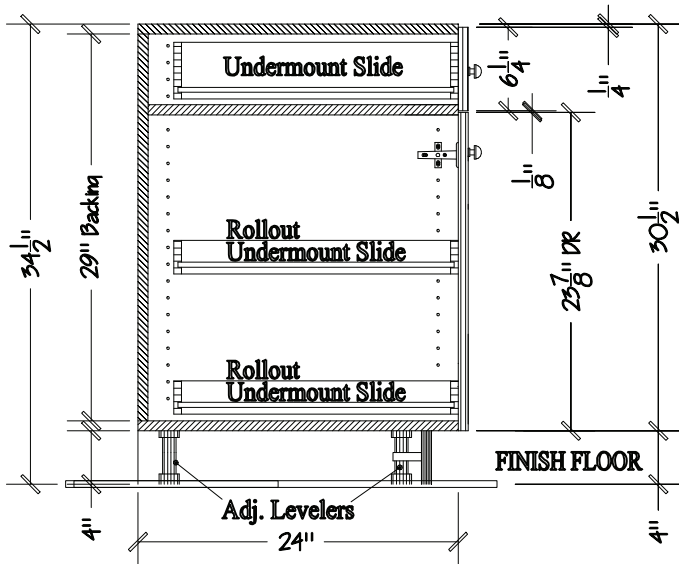
SKU CUBES

SKU	CUBES	
B24RO-2	12	
B27RO-2	13	
B30RO-2	15	
B33RO-2	16	

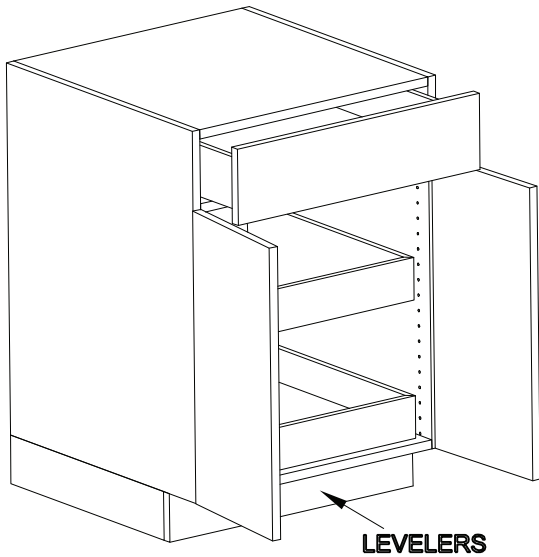
- . Two Butt Doors
- . One Drawer
- . Two Rollouts - available in 2 1/2, 3 1/2, 4 1/2 Ht
- . Available widths: 24" - 33"
- . 4" Adjustable Levelers
- . Click On Toe Kick



DOOR REVEAL
Shown w/ Shaker Doors
No Reveal at Bottom

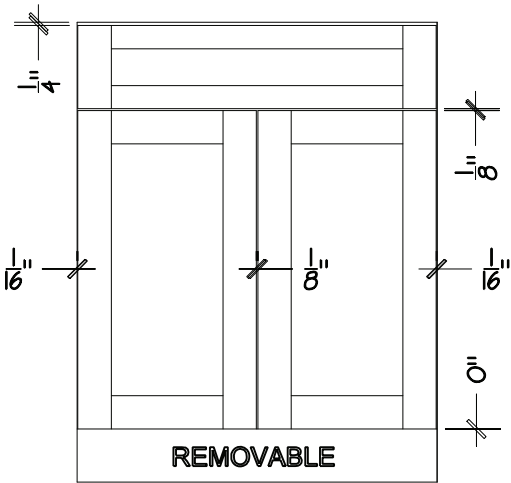


BASE CABINET - TWO DOORS DOUBLE ROLLOUTS - 24" DEEP

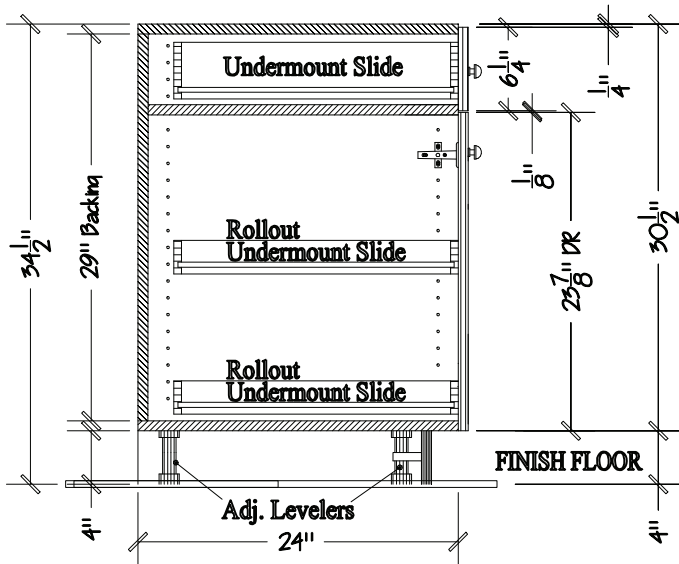


SKU	CUBES	
B24RO-2	12	
B27RO-2	13	
B30RO-2	15	
B33RO-2	16	
B36RO-2	18	

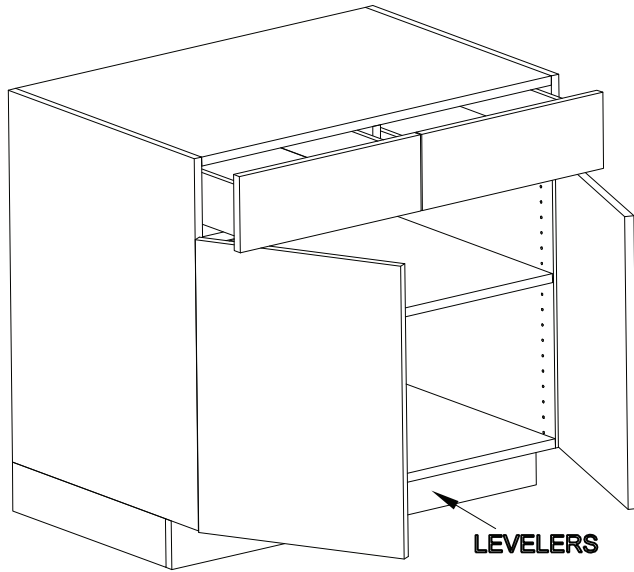
- . Two Butt Doors
- . One Drawer
- . Two Rollouts - available in 2 1/2, 3 1/2, 4 1/2 Ht
- . Available widths: 24" - 36"
- . 4" Adjustable Levelers
- . Click On Toe Kick



DOOR REVEAL
Shown w/ Shaker Doors
No Reveal at Bottom

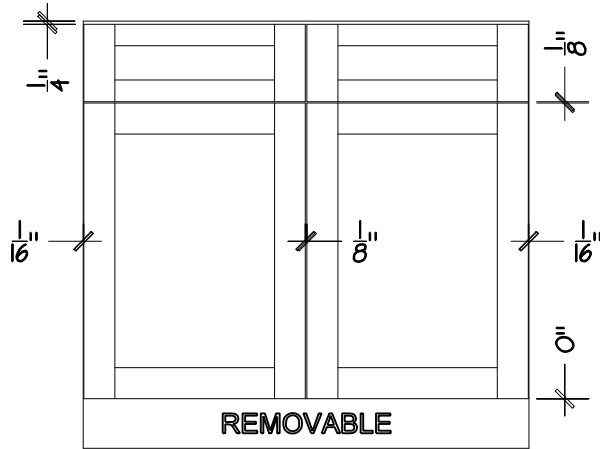


BASE CABINET - TWO DRAWERS - 24" DEEP

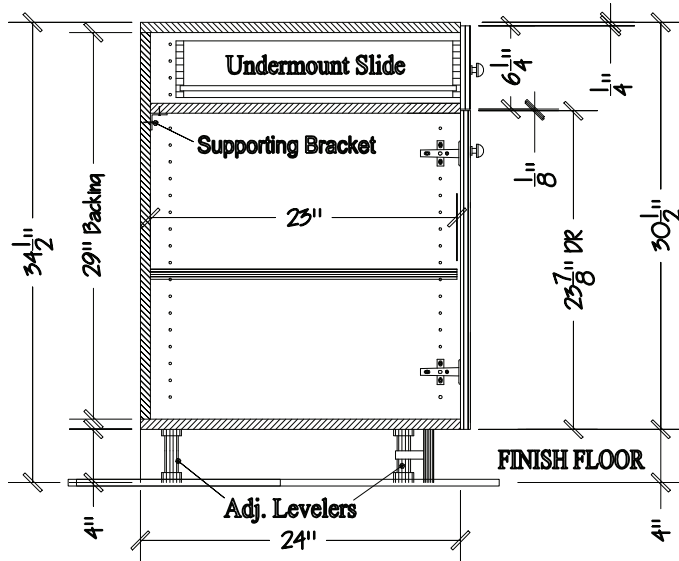


SKU	CUBES	
B39	19	
B42	20.25	

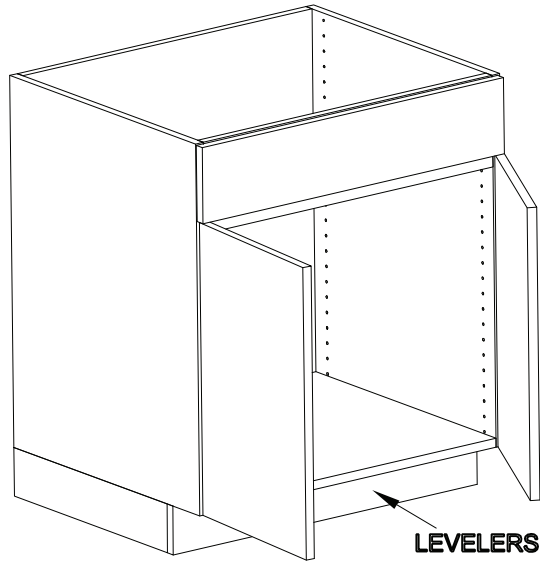
- . Two Butt Doors
- . Two Drawers
- . One Adjustable Shelf
- . Available widths: 39" & 42"
- . 30 1/2" H
- . 4" Adjustable Levelers
- . Click On Toe Kick



REMOVABLE
DOOR REVEAL
 Shown w/ Shaker Doors
 No Reveal at Bottom

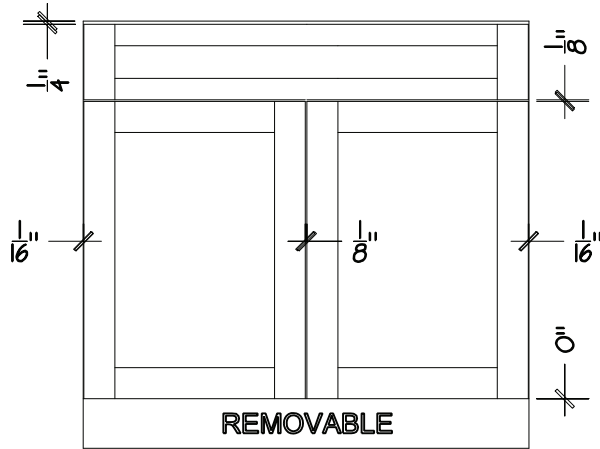


SINKBASE CABINET - 24" DEEP

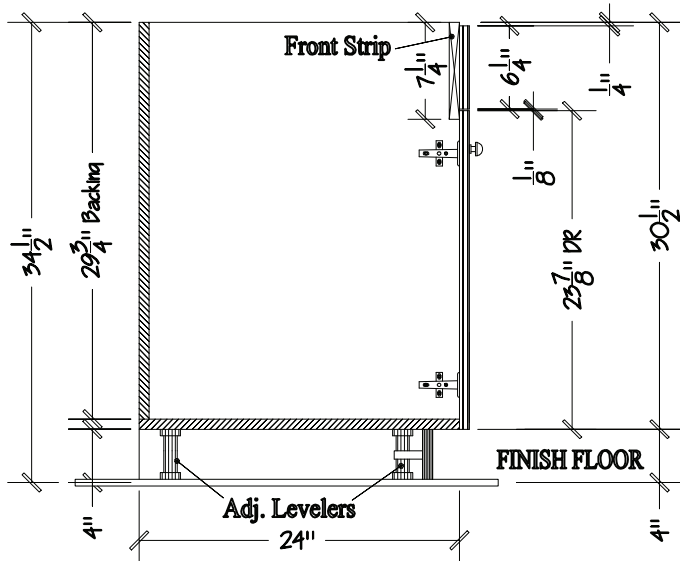


SKU	CUBES	
SB24	12	
SB27	13	
SB30	15	
SB33	16	
SB36	18	
SB42	21	

- One False Front
- Two Butt Doors
- Full Backing
- Available widths: 24" - 42"
- 30 1/2" H
- 4" Adjustable Levelers
- Click On Toe Kick



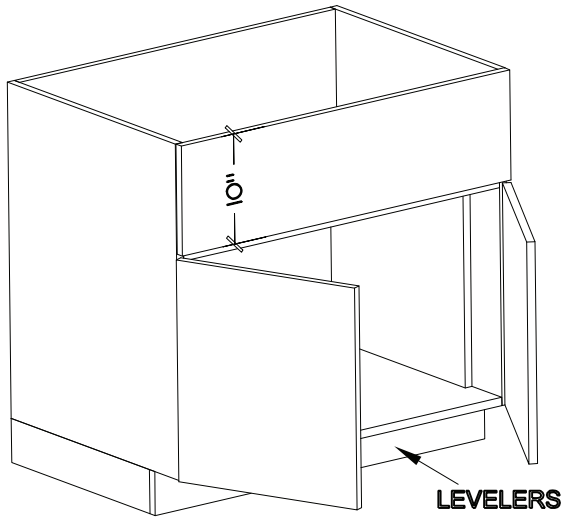
DOOR REVEAL
Shown w/ Shaker Doors
No Reveal at Bottom



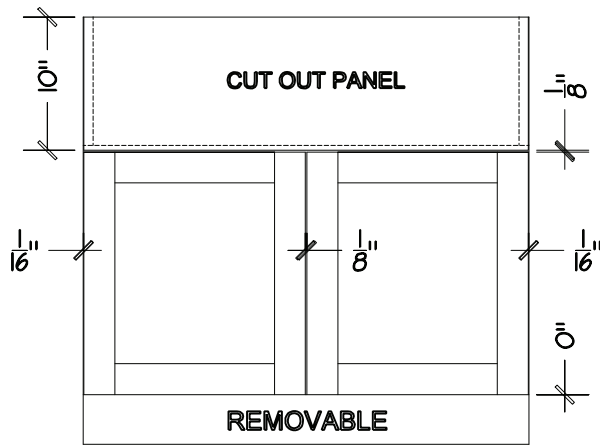
FARM SINKBASE - 24" DEEP

SKU CUBES

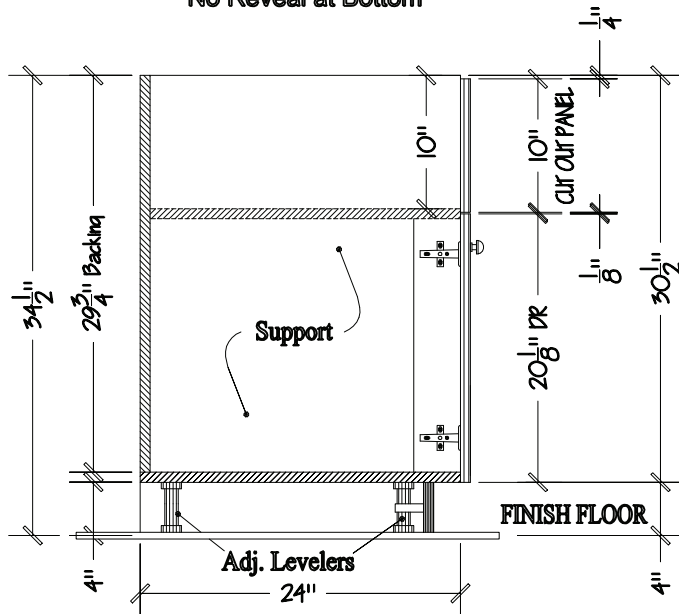
FSB30	15	
FSB33	16	
FSB36	18	
FSB39	19	



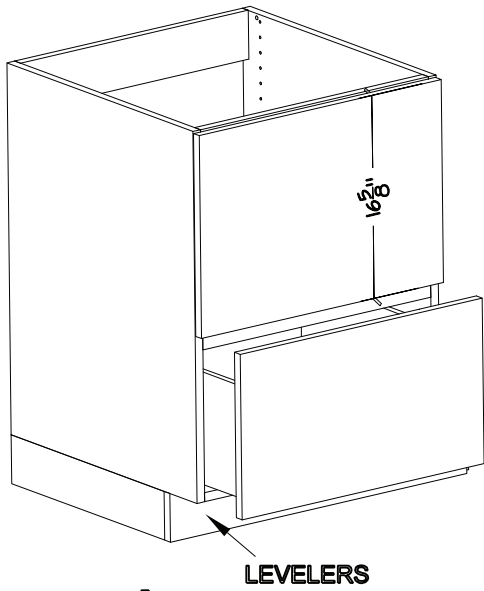
- Two Butt Doors
- Full Backing
- Available widths: 30" - 39"
- 30 1/2" H
- 4" Adjustable Levelers
- Click On Toe Kick
- Opening Size can be Requested
- False Front Upon Requested
- Side Support Included



DOOR REVEAL
Shown w/ Shaker Doors
No Reveal at Bottom

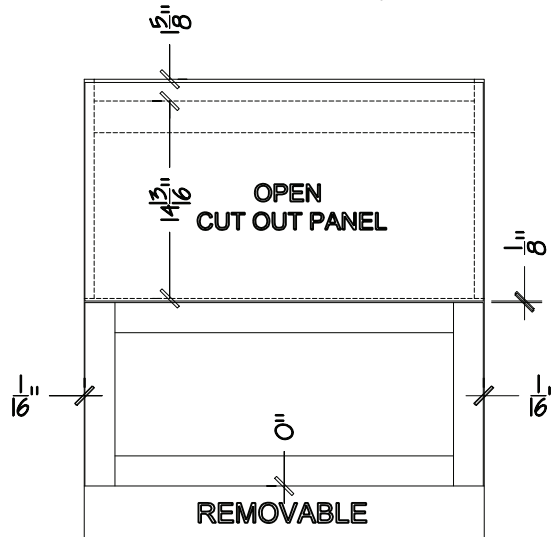


MICROWAVE BASE - 24" DEEP

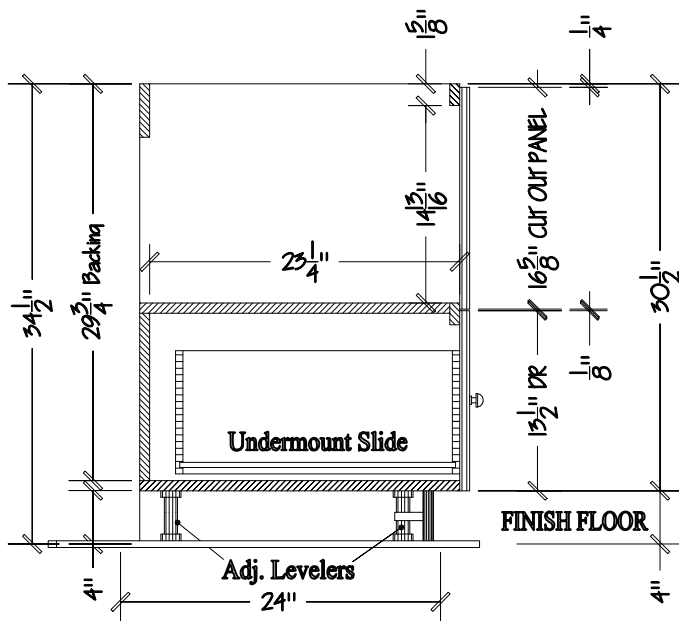


SKU	CUBES	
BMV24	12	
BMV27	13	
BMV30	15	

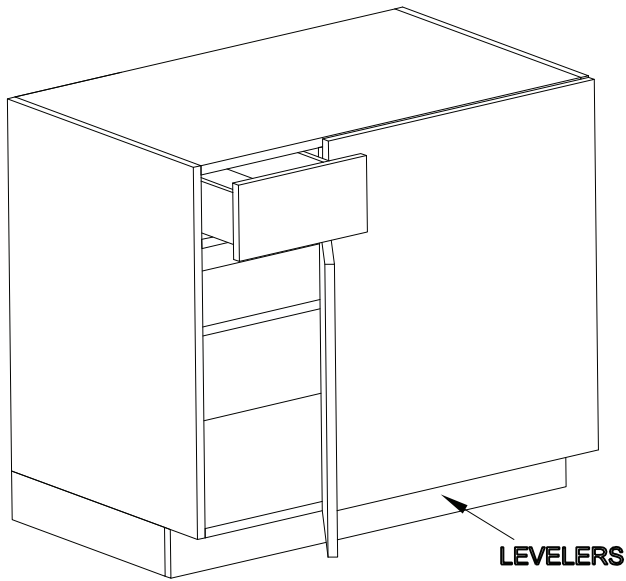
- One Drawer
- Available widths: 24", 27" & 30"
- Designed for Built In Microwave with trim kits of 16 1/4" High
- No Backing behind Microwave
- 30 1/2" H
- 4" Adjustable Levelers
- Click On Toe Kick



DOOR REVEAL
Shown w/ Shaker Doors
No Reveal at Bottom

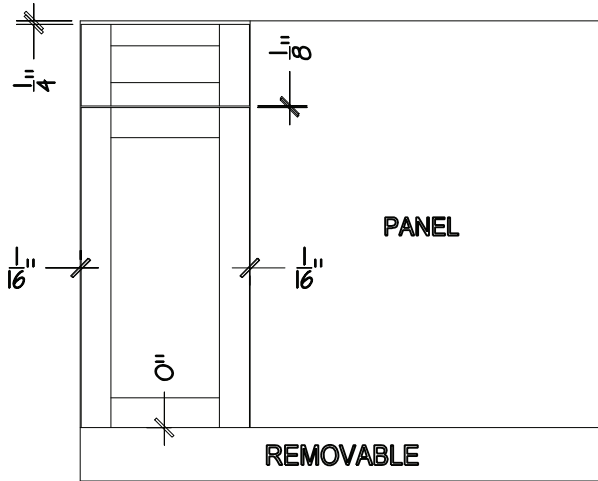


BLIND BASE - 24" DEEP

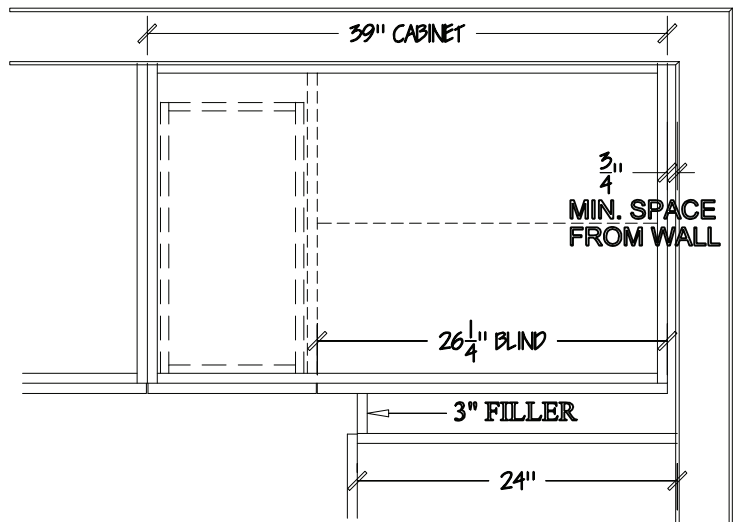
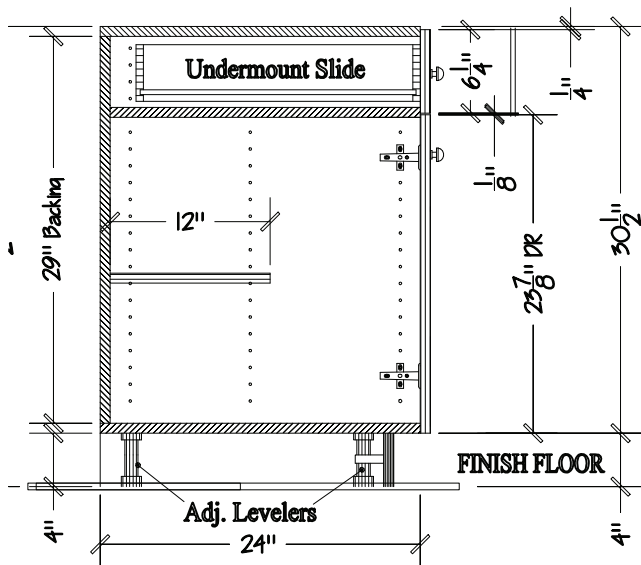


SKU	CUBES
BBC39L	19
BBC42L	21
BBC45L	22
BBC39R	19
BBC42R	21
BBC45R	22

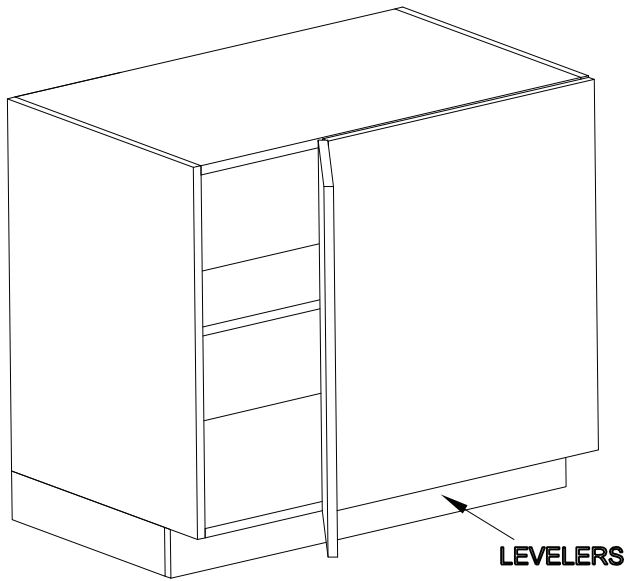
- One Drawer
- One Adjustable Shelf 12" deep
- Blind Panel 26 1/4" wide
- Available widths: 39" - 45"
- Available for Left or Right
- 30 1/2" H
- 4" Adjustable Levelers
- Click On Toe Kick



DOORS REVEAL
Shown BBC R w/ Shaker Door



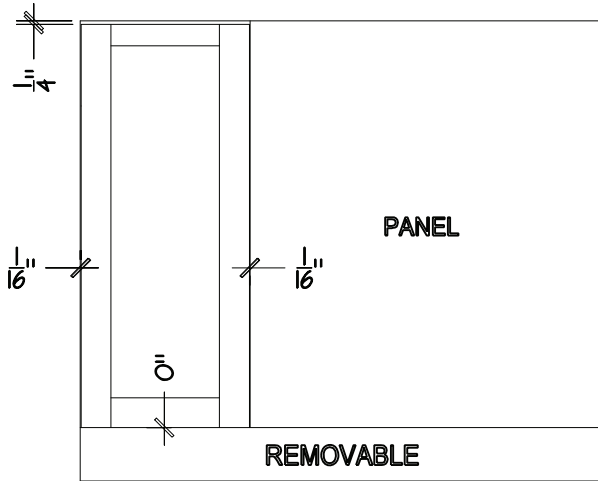
BLIND BASE FULL HEIGHT DOOR - 24" DEEP



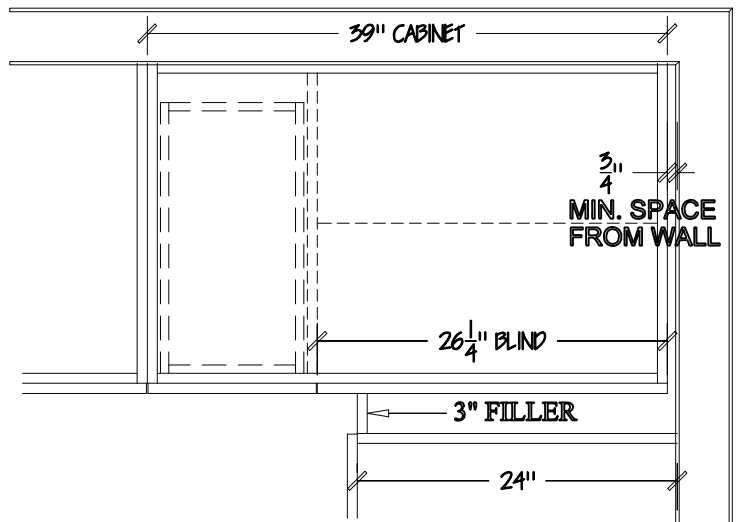
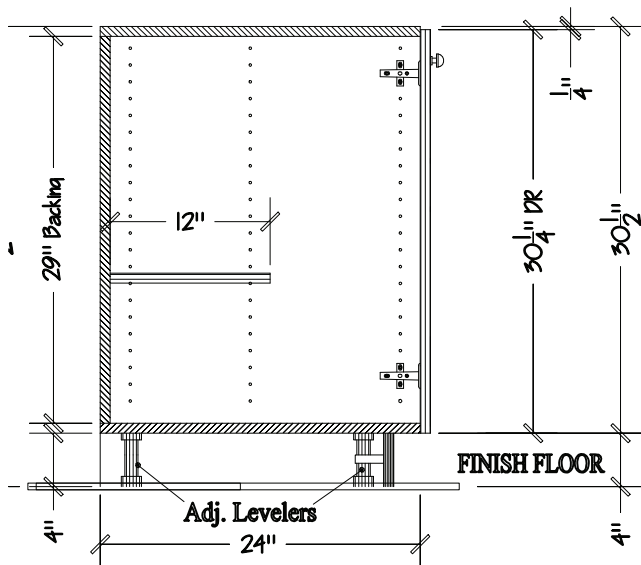
SKU	CUBES	
BBC39LFH	19	
BBC42LFH	21	
BBC45LFH	22	
BBC39RFH	19	
BBC42RFH	21	
BBC45RFH	22	

- One Drawer
- One Adjustable Shelf 12" deep
- Blind Panel 26 1/4" wide
- Available widths: 39" - 45"
- Available for Left or Right
- 30 1/2" H
- 4" Adjustable Levelers
- Click On Toe Kick

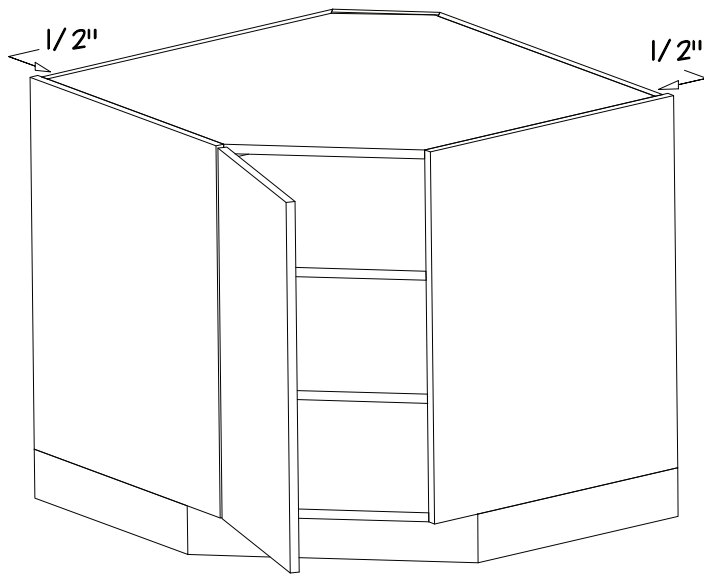
* COULD USE AN INSERT CORNER SYSTEM
MAKE SURE THE OPENING IS CORRECT FOR TH



DOORS REVEAL
Shown BBC R w/ Shaker Door



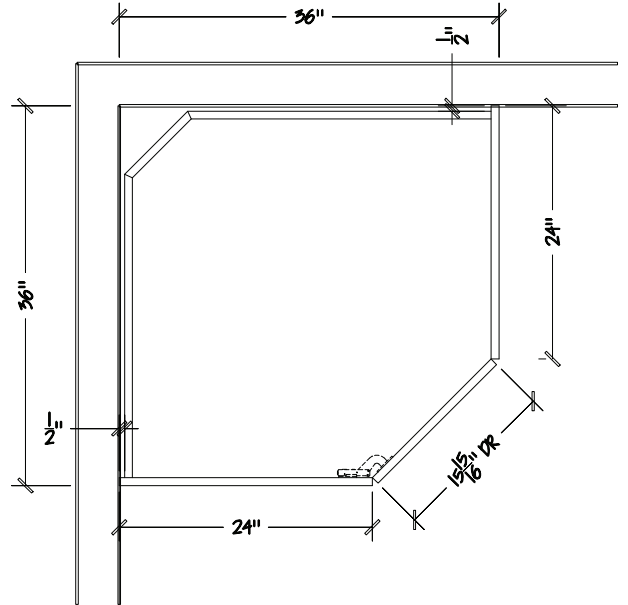
BASE DIAGONAL CABINET - 24" DEEP



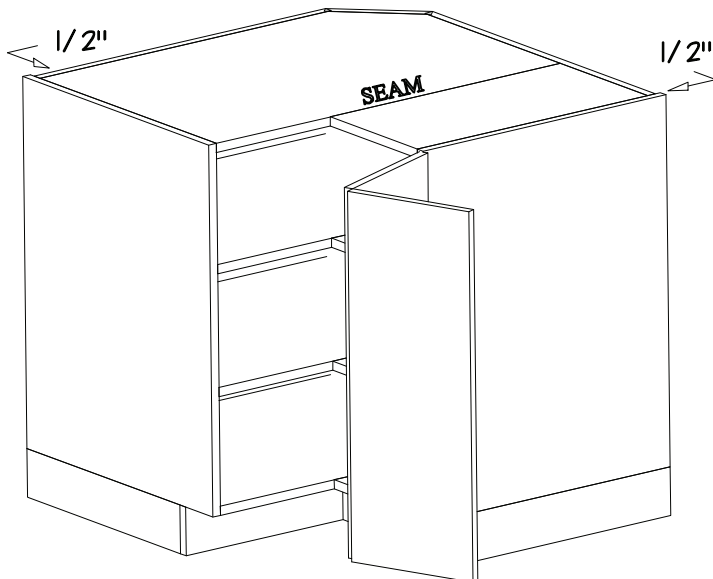
SKU CUBES

BDC36	26	
-------	----	--

- One Full Height Door
- Two Adjustable Shelves
- Available widths: 36"
- Available Left or Right
- 30 1/2" H
- 4" Adjustable Levelers
- Click On Toe Kick



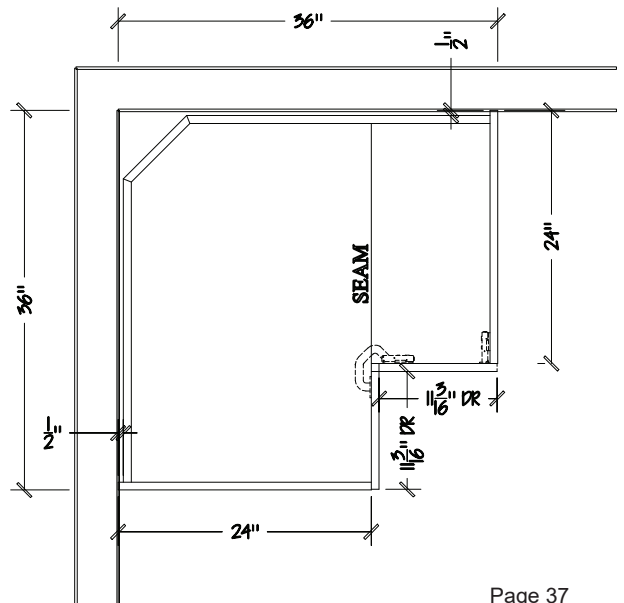
BASE EASY REACH - 24" DEEP



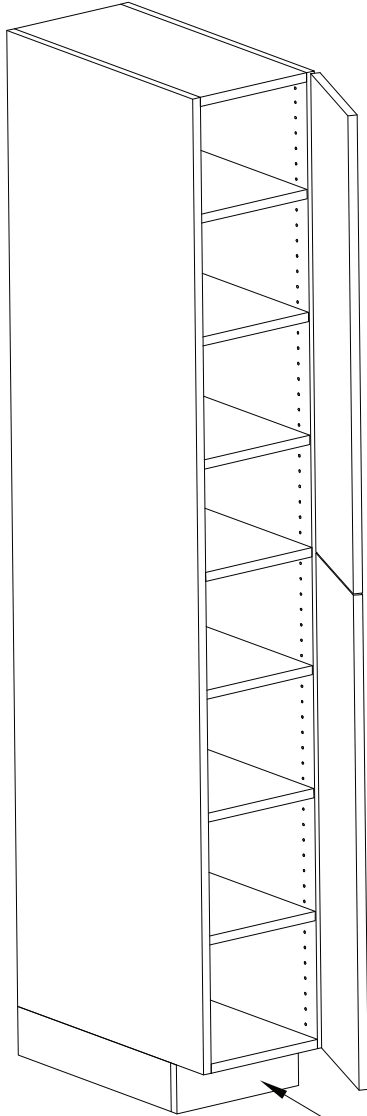
SKU CUBES

BER36	26	
-------	----	--

- Bifold Doors
- Two Adjustable Shelves
- Soft Close not available
- Available widths: 36"
- 30 1/2" H
- 4" Adjustable Levelers
- Click On Toe Kick



TALL CABINETS - 2 DOORS



LEVELERS

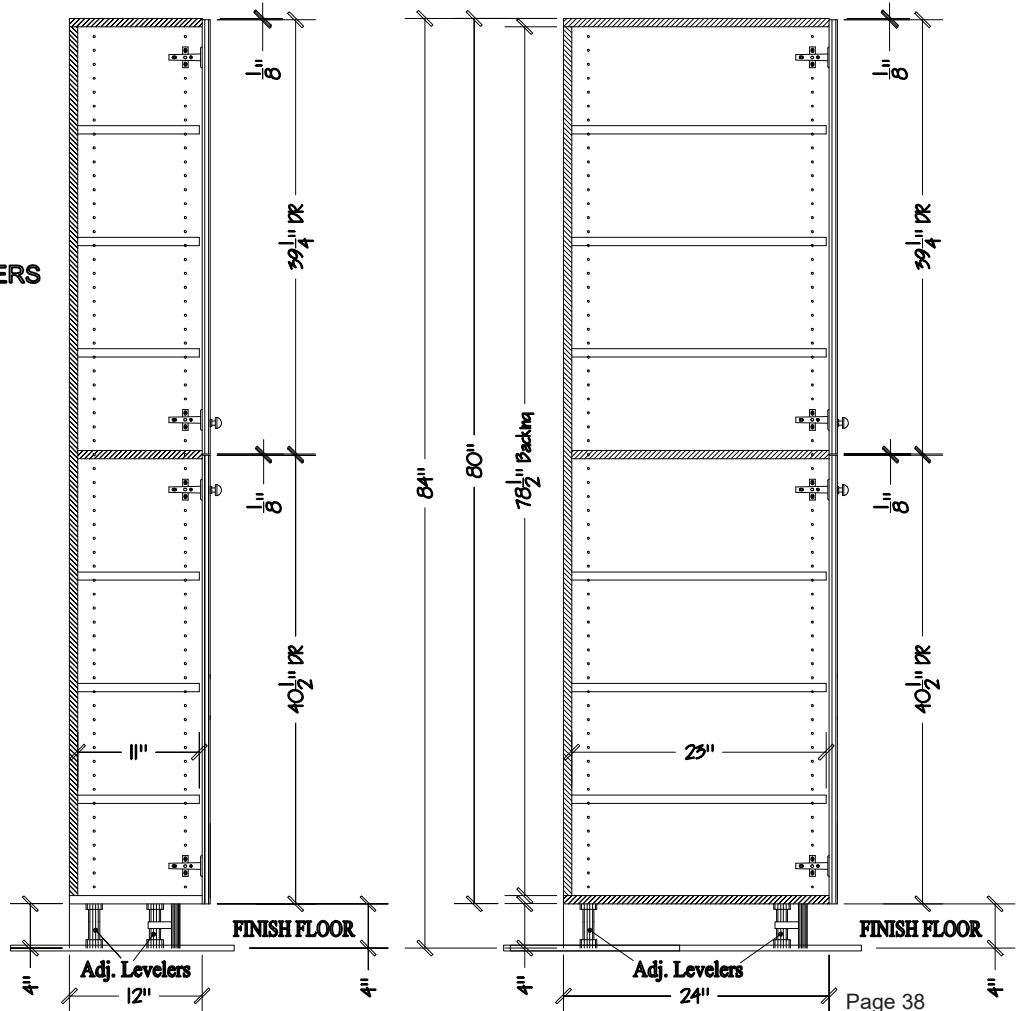
SKU - 12D

SKU - 24D

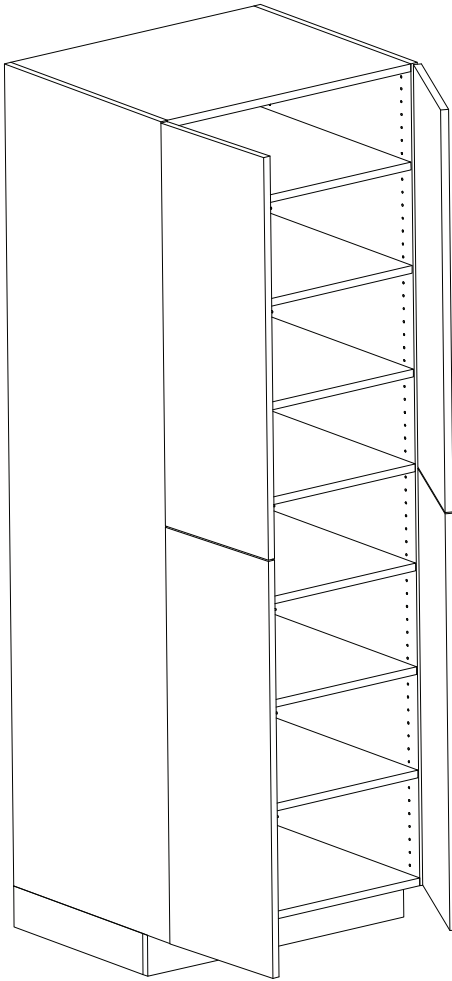
CUBES

P098412		P098424	10.5	
P128412		P128424	14	
P158412		P158424	17.5	
P188412		P188424	21	
P218412		P218424	24.5	
P099012		P099024	12	
P129012		P129024	15	
P159012		P159024	19	
P189012		P189024	22.5	
P219012		P219024	27	
P099612		P099624	12	
P129612		P129624	16	
P159612		P159624	20	
P189612		P189624	24	
P219612		P219624	28	

- Two Doors
- 80" & 86" H + 4" Leveler - Six Adjustable Shelves
- 92" H + 4" Levelers - Seven Adjustable Shelves
- Available widths: 9" - 21"
- Available depth: 12" & 24"
- Available Left or Right
- One Fixed Shelf Between Doors
- 4" H Adjustable Levelers
- Click On Toe Kick



TALL CABINETS - 24" DEEP



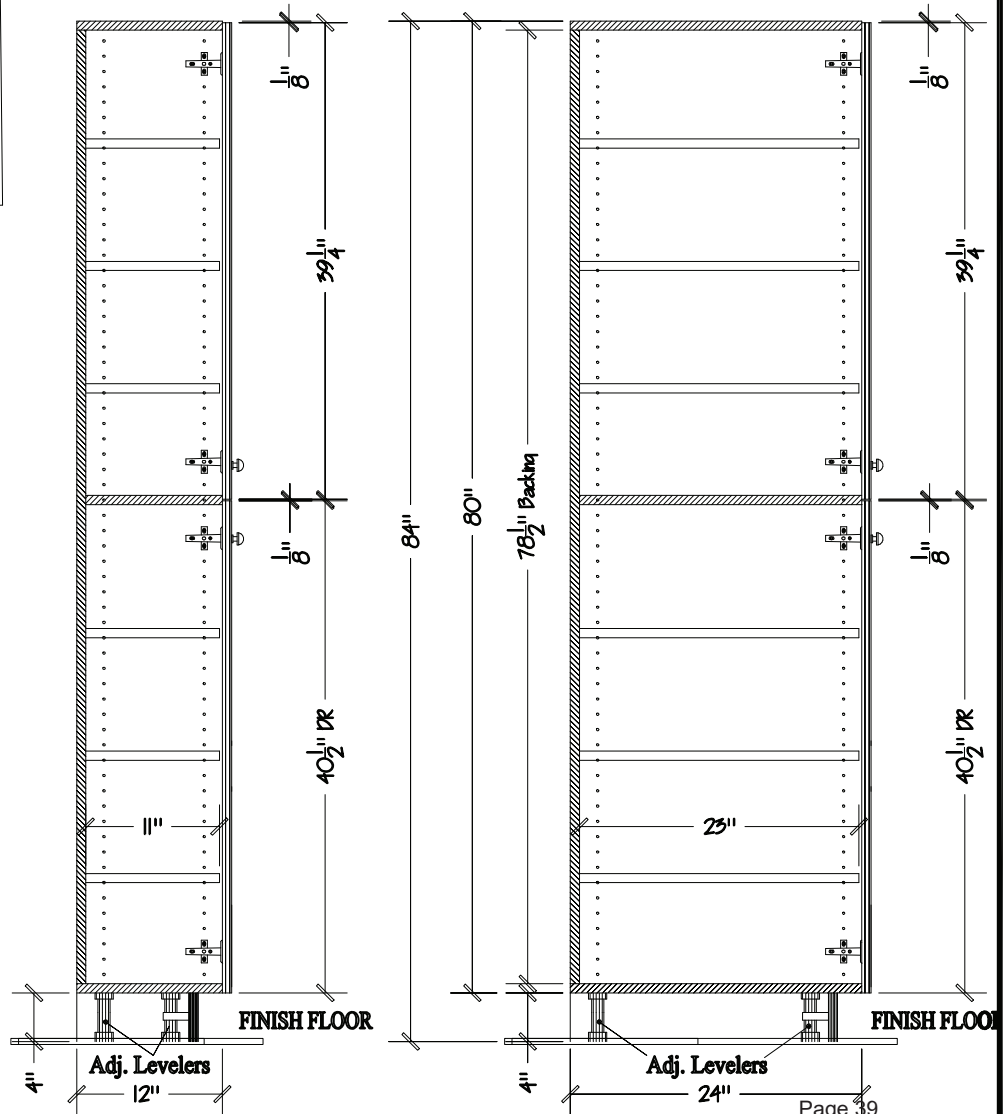
SKU - 12"D

SKU - 24"D

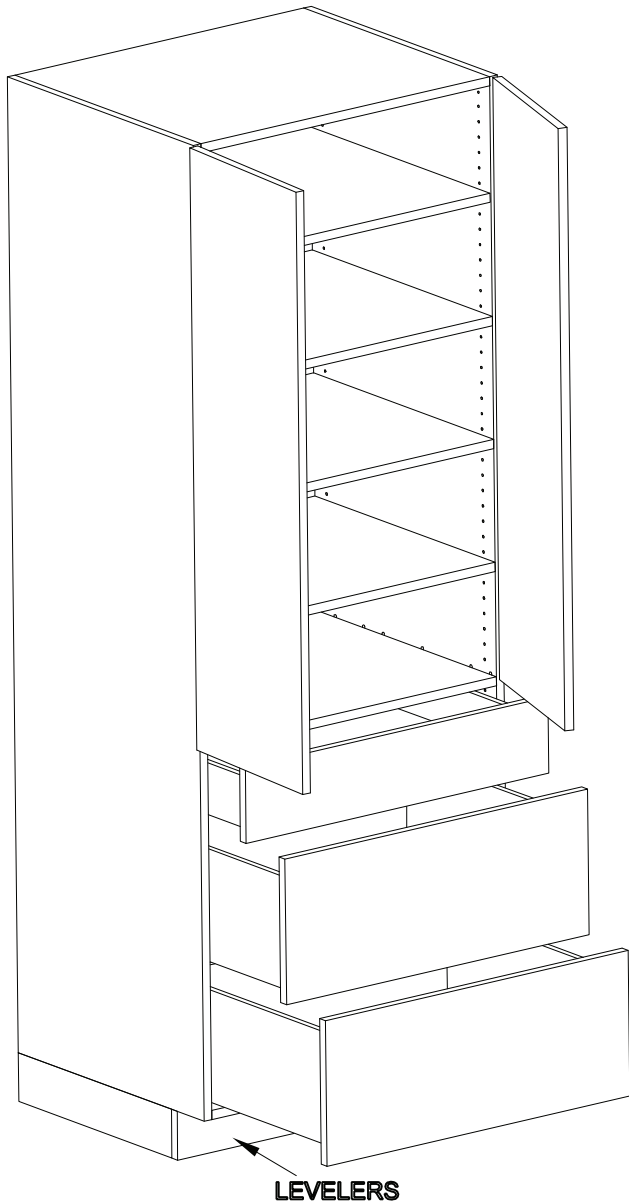
CUBES

SKU - 12"D	SKU - 24"D	CUBES
P248412	P248424	28
P278412	P278424	31.5
P308412	P308424	35
P338412	P338424	38.5
P368412	P368424	42
P249012	P249024	30
P279012	P279024	34
P309012	P309024	37.5
P339012	P339024	42
P369012	P369024	45
P249612	P249624	32
P279612	P279624	36
P309612	P309624	40
P339612	P339624	44
P369612	P369624	48

- Two Pair of Butt Doors
- 80" & 86" H + 4" Levelers - Six Adjustable Shelves
- 92" H + 4" Levelers - Eight Adjustable Shelves
- Available widths: 24" - 36"
- Available depths: 12" - 24"
- One Fixed Shelf Between Doors
- 4" H Adjustable Levelers
- Click On Toe Kick

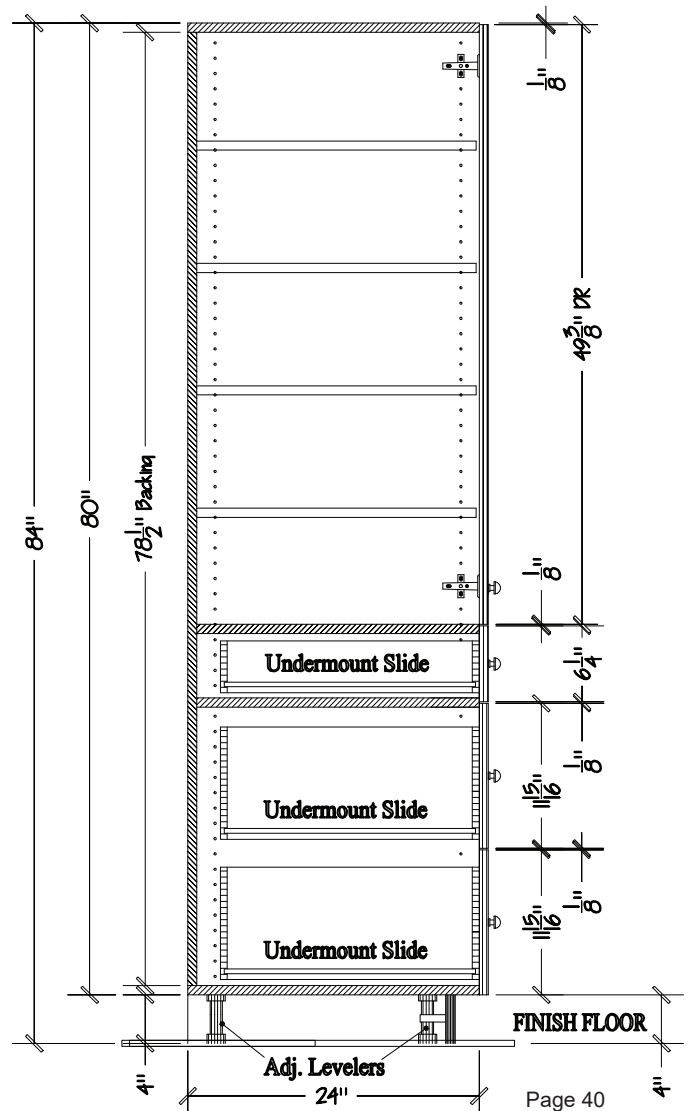


THREE DRAWERS TALL CABINET - 24" DEEP

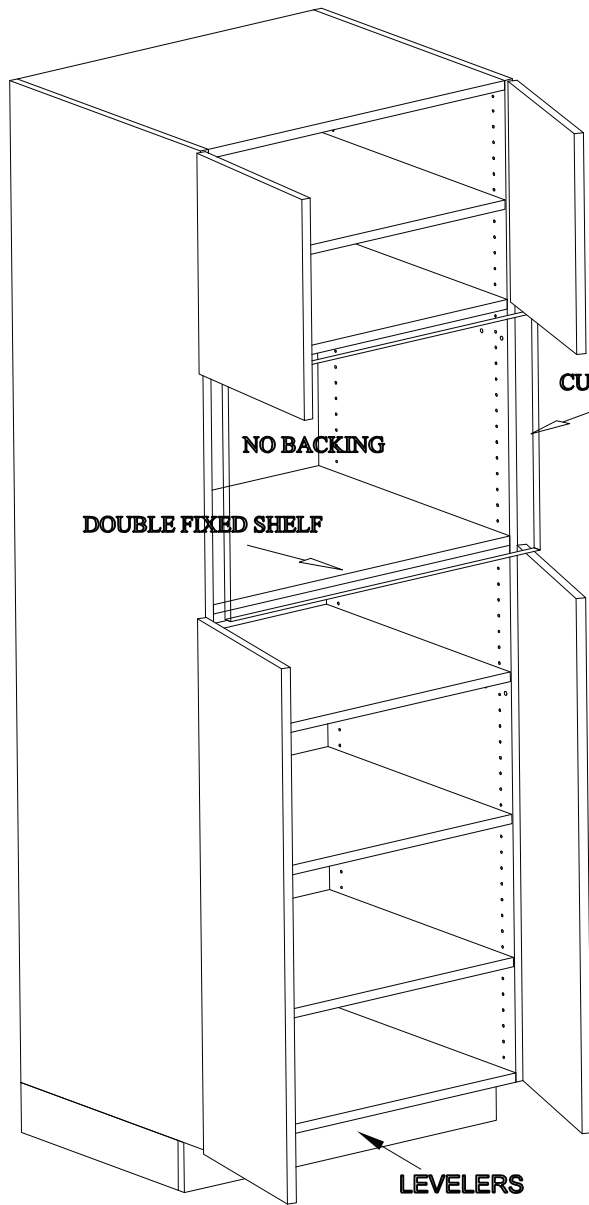


SKU	CUBES
3DP248424	28
3DP278424	31.5
3DP308424	35
3DP338424	38.5
3DP368424	42
3DP249024	30
3DP279024	34
3DP309024	37.5
3DP339024	42
3DP369024	45
3DP249624	32
3DP279624	36
3DP309624	40
3DP339624	44
3DP369624	48

- Two Butt Doors
- 80" & 86" H + 4" Levelers - Four Adjustable Shelves
- 92" H + 4" Levelers - Five Adjustable Shelves
- One Fixed Shelf between Doors & Drawer
- Available widths: 24" - 36"
- 4" H Adjustable Levelers
- Click On Toe Kick

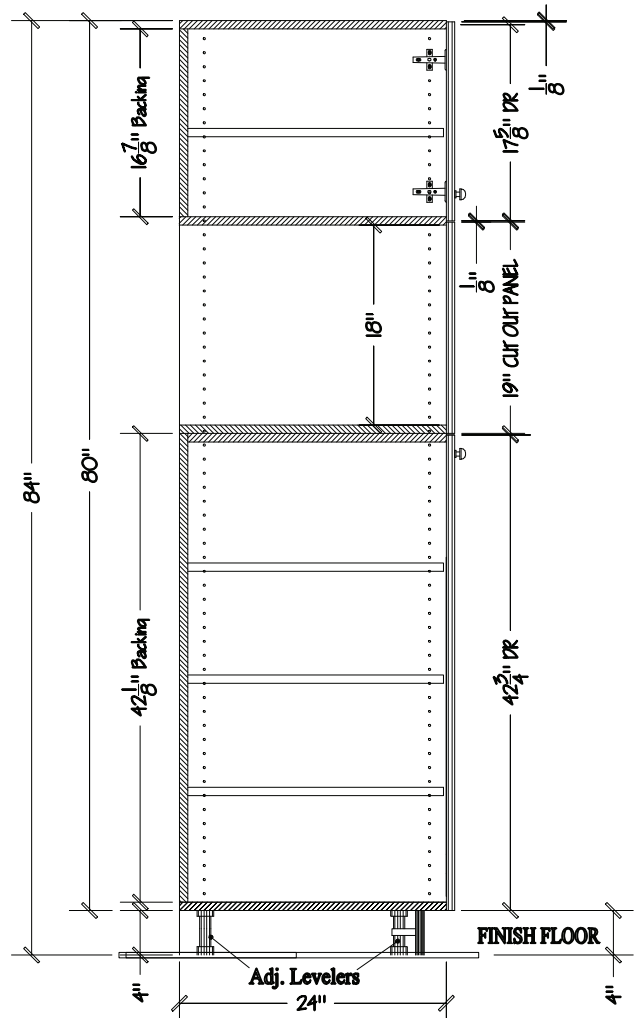


MIELE / MICROWAVE TALL CABINET - 24" DEEP



SKU	CUBES	
TMW248424	28	
TMW249024	30	
TMW249624	32	
TMW278424	31.5	
TMW279024	33.5	
TMW279624	36	

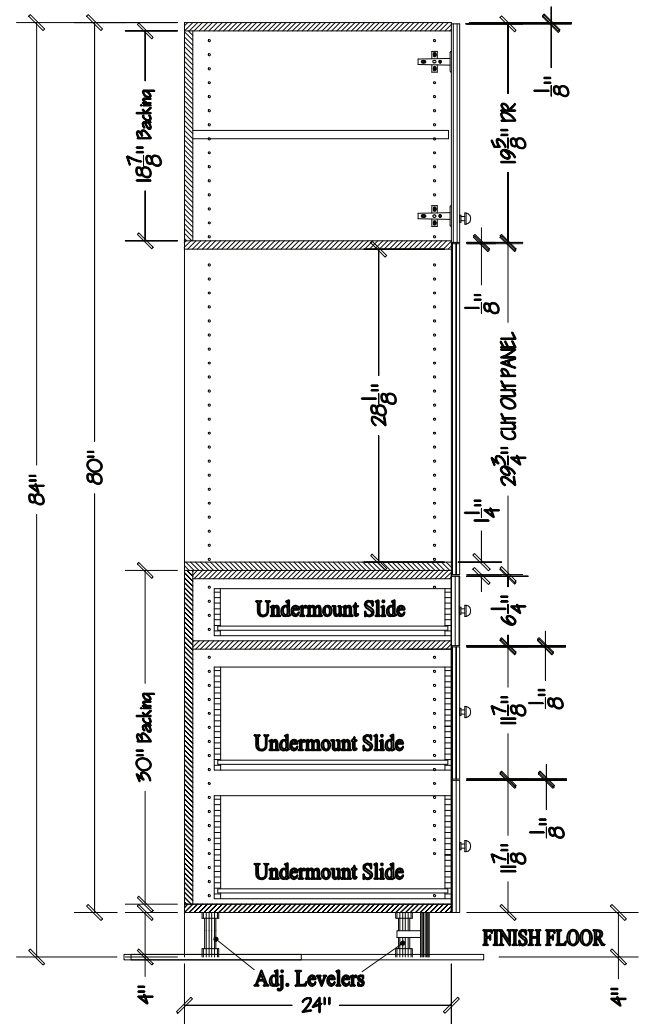
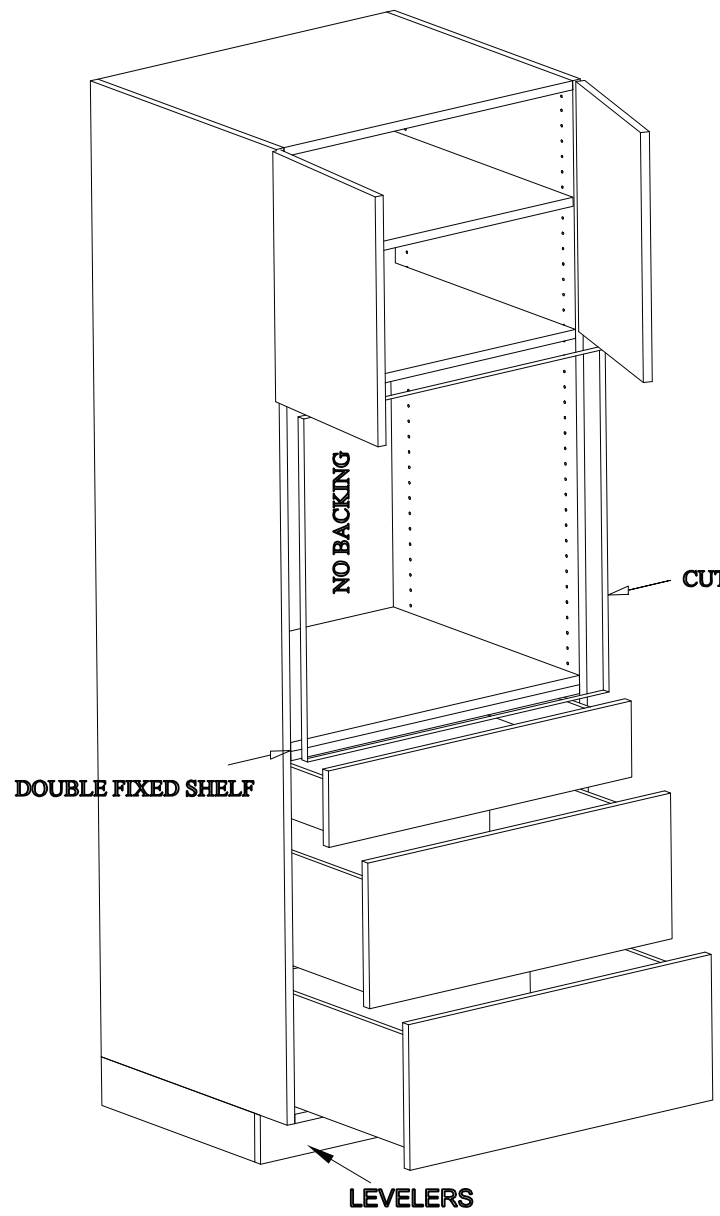
- Two Butt Doors on Top & Bottom
- Three Adjustable Shelves at Lower Section
- Opening 22 1/2" x 18" for 24" Wide Cabinet
- Opening 25 1/2" x 18" for 27" Wide Cabinet
- No Backing at Opening
- Available widths: 24" & 27"
- Available Heights: 80", 86" & 92" + 4" Levelers
- 4" H Adjustable Levelers



SINGLE OVEN TALL CABINET - 24" DEEP

SKU	CUBES	
OC3D278424	31.5	
OC3D279024	33.5	
OC3D279624	36	
OC3D308424	35	
OC3D309024	37.5	
OC3D309624	40	

- Two Butt Doors on Top
- One Adjustable Shelves
- Opening 28 1/2" x 28 1/8"
- No Backing at Opening
- Three Drawers
- Double Fixed Shelves for Support
- Available widths: 27" & 30"
- Available Heights: 80", 86" & 92" + 4" Levelers

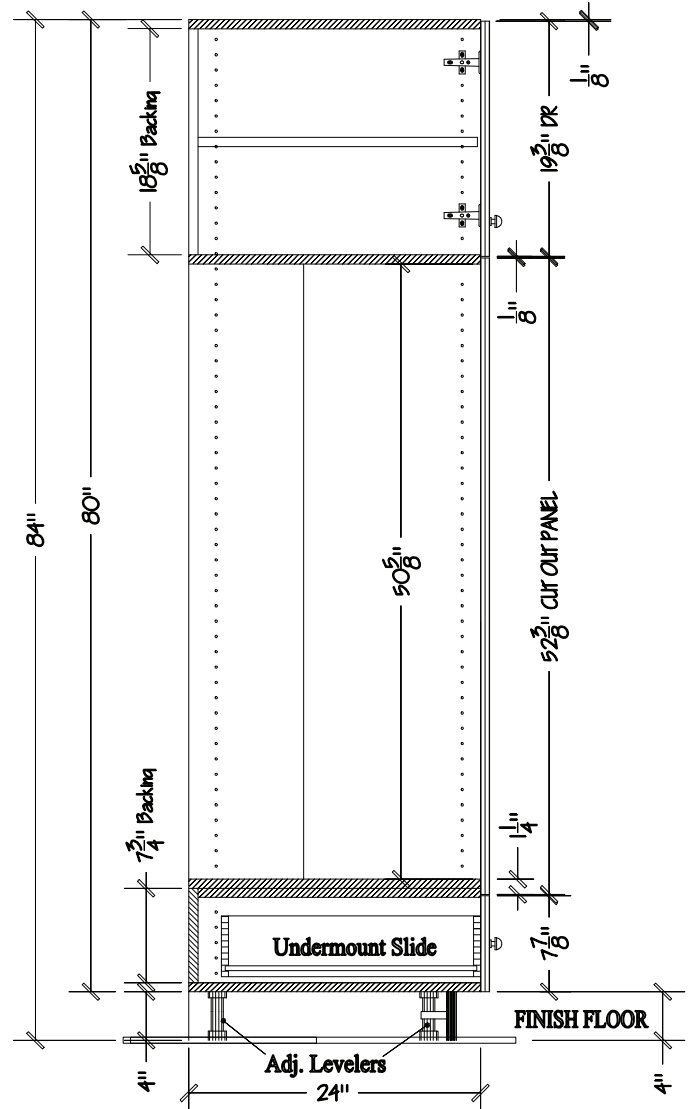
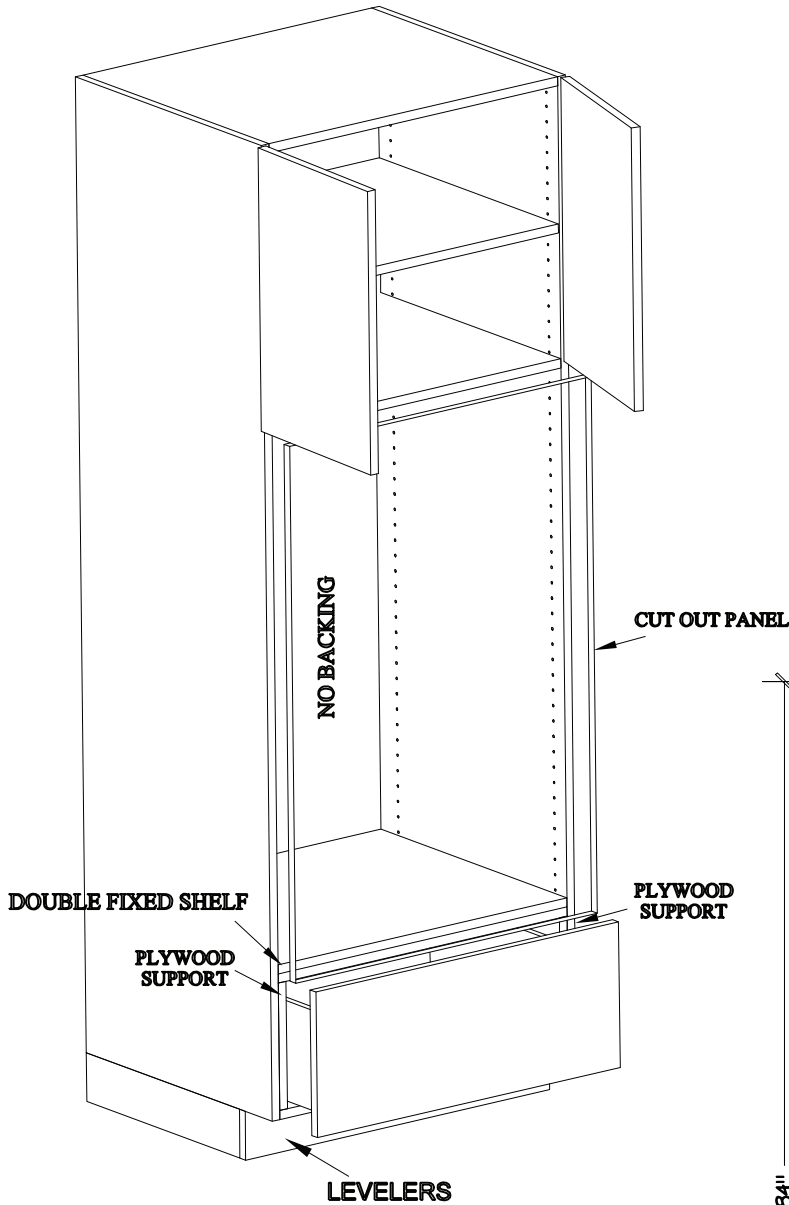


DOUBLE OVEN TALL CABINET - 24" DEEP

SKU CUBES

OD278424	31.5	
OD279024	33.75	
OD279624	36	
OD308424	35	
OD309024	37.5	
OD309624	40	

- Two Butt Doors on Top
- One Adjustable Shelf
- One Drawer
- Opening 28 1/2" x 50 5/8"
- No Backing at Opening
- Double Fixed Shelves for Support
- Available widths: 27" & 30"
- Available Heights: 80", 86" & 92" + 4" Levelers
- 4" H Adjustable Levelers
- Click On Toe Kick



HUNTINGTON

— CABINETS —



All Materials Made in North America.
All Cabinets Custom Made in Huntington, NY



[HUNTINGTONCABINETRY.COM](https://www.huntingtoncabinetry.com)



[INFO@HUNTINGTONCABINETRY.COM](mailto:info@huntingtoncabinetry.com)